

AESCULAP® Prevision®

One philosophy. One platform. More options.



AESCULAP® Prevision®

The femoral revision platform

Content

1	Concept and Philosophy	4
2	Preoperative Planning	16
3	Surgical Technique	17
4	Surgical Technique Monobloc	
	Cementless	17
	Cemented	20
4	Surgical Technique Modular	
	Straight	21
	Curved	25
	Coupling	30
	Distal interlocking	32
	Decoupling	34
	Stem Removal	35
5	Implant overview	36
6	Instrument Set overview	40



One femoral revision concept within
one platform

Gradual treatment of various indications

Femoral reconstruction - **cementless, cemented, modular, monobloc**



Availability of all instruments within the

AESCLAP®
SQ.line® design



Maximized intra-operatively
flexibility

to reconstruct patients' anatomy

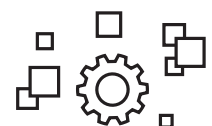


Efficient & economical
instrument setting



Customized
instrument platform

Multiple **modular components**
for **over 1.000 configurations**



AESCULAP® Prevision®

One concept. One platform.



One concept. One platform.

When it comes to femoral revisions, a wide range of options to treat patients' need is mandatory. Various indications could lead to the removal of the former primary stem, such as aseptic loosening, periprosthetic fractures or infections.

For all these indications, a modern revision system needs to offer multiple and reproduceable answers for the surgical teams. A high degree of flexibility is demanded to address suitable treatments with a modular and/or a monobloc solution.

Prevision® combines these demands in one platform. A platform of implants for cementless and cemented monobloc stems, followed by corresponding design principles for a modular concept in a straight and curved version. A platform of instruments that reflect a stepwise procedure linked to the needed implant type.

Since almost 2 decades Prevision® has shown its advantages and benefits in the intra-operatively capability adapting to the patient specific situation.



Monobloc
Cementless

Monobloc
Cemented

Modular
Straight

Modular
Curved

AESCULAP® Prevision®

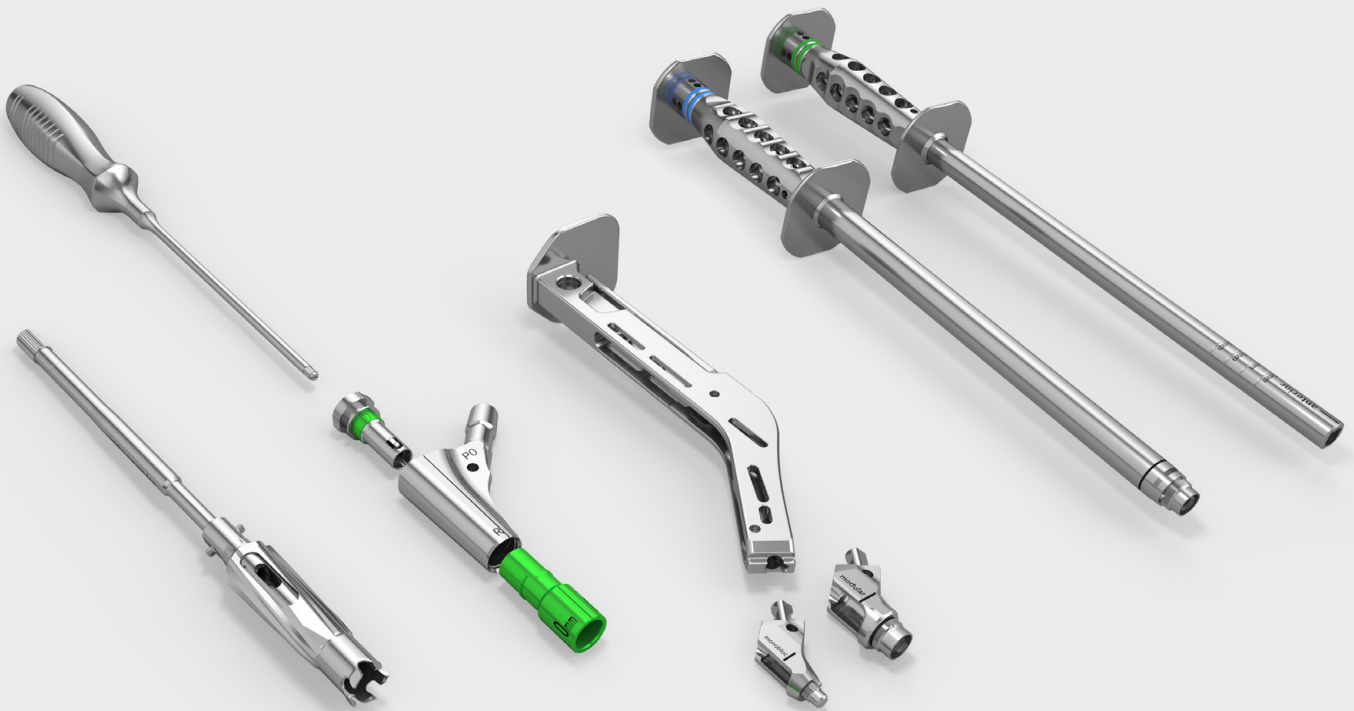
One concept. One platform.

The Prevision® platform answers current challenges in the OR in terms of femoral revision surgeries. **Less complexity** for assembling the instruments, **color coded** and **smart instruments** lead to a clear identification of the corresponding instrument.

During surgery only those trays are opened for those instruments really been needed to conduct the surgery. Linked to the implant portfolio the instruments offer a high degree

of intra-operative choice for the implant type or anchoring option. This is generated by the same design parameters, curvatures and workflows to prepare the implant bed.

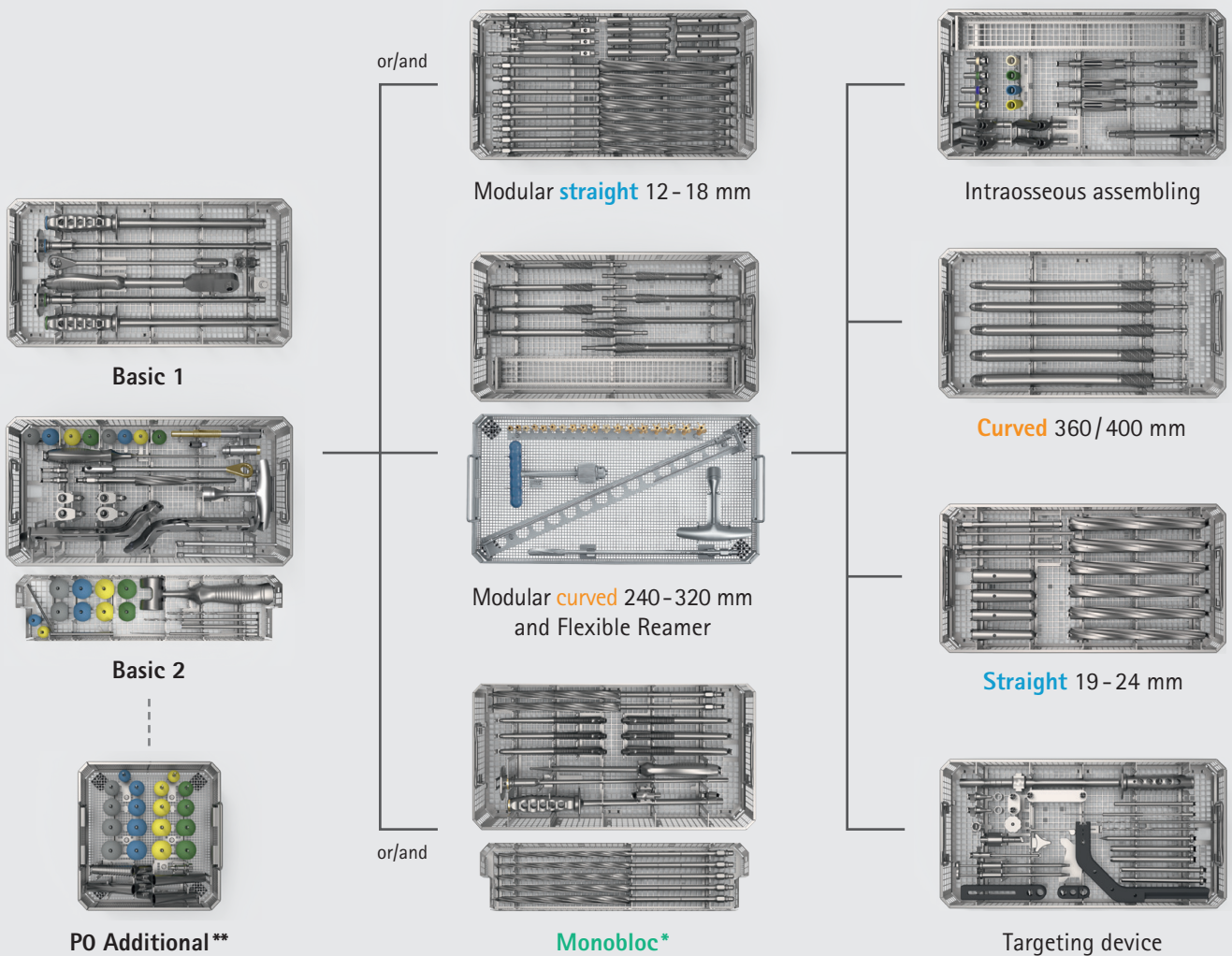
Look and feel, handling and performance of the instruments is addressed in the AESCULAP® SQ.line® platform, that stands for ergonomic working ends and bandings, as for a robust layout.



Prevision® – Revision Stem Instrument Platform

The great flexibility of the tray organization supports an individual instrument setting, offering options in size, length and diameter organization or by implant type.

In the end, Prevision® supports efficient intra-op workflow. Furthermore, a faster reprocessing is given as less instruments are used. This setting leads to efficiency and economical benefits.



Basic set-up

Straight

Curved

Monobloc

Optional

* When using Monobloc as a single System, Basic 2 is also required

** Only relevant for an existing Prevision® Classic Modular user and in case of PO usage; only temporarily available

AESCULAP® Prevision® Monobloc

The platform



Monobloc Cementless

The Prevision® Monobloc stem is based on the proven design of the Prevision® modular stem System and developed to cover requirements of advanced revision surgery.

The combination of the conical 2° tapered stem and the proven distal star profile give the stem the needed axial stability. The rough and grit-blasted stem surface and the PLASMAPORE® coating in the proximal area support osseointegration and bone remodeling. The short taper and slim neck allow good mobility and the combination with Plasmafit® Dual Mobility.

Two different stem length (200 and 240 mm) with 6 sizes per length (10 to 15 mm) are available to reconstruct patient anatomies.

↕ 200 & 240 mm

∅ 10 - 15 mm

In Design



Implant materials:

Cementless stems titanium forged alloy (Ti6Al4V/ISO 5832-3) with PLASMAPORE® pure titanium (Ti/ISO 5832-2) surface.

AESFULAP® Prevision® Monobloc

The platform



Monobloc Cemented

The Prevision® Monobloc cemented stem combines the same properties and advantages as the cementless stem and provides the user more options to restore function and mobility.

The option of different stem lengths (200 and 240 mm), different stem diameters (12 and 14 mm) and the freedom to change a cemented prosthesis intraoperatively without re-adjusting the femoral canal, maximizes user possibilities and completes the Prevision® system.

Thanks to the simple and modular state-of-the-art instrument setting with the proven AESFULAP® SQ.line® design, it allows the user a simple and logical application.

↑ 200 & 240 mm

∅ 12 - 14 mm

In Design

12/14 Taper
135° CCD angle

Offset: 43.5 mm

Rounded profile distally
with oblique sides

Slim and
polished neck

Polygon
connection

Stem length 200 & 240 mm
4 sizes

CoCr alloy with matt
polished surface



Centralizer

Implant materials:

Cemented stems; cobalt-chrome forged alloy (CoCrMo/ISO 5832-12) Centralizer of polymethyl methacrylate PMMA.

AESCULAP® Prevision® Modular

The platform

High flexibility

A high grade of flexibility to reconstruct patient anatomies is essential when it comes to revision surgeries.

The Prevision® modular stem is designed to be a highly customizable stem that can be tailored to the specific needs of each patient. It is composed of multiple modular components, including proximal and distal bodies, which can be combined in over 1.000 configurations to create a patient-fitted implant.



Over 1.000 configurations

Proximal component

In order to treat different anatomies optimally, the Pre-
vision® modular system offers either cylindrical bodies
for smaller bone morphologies or conical bodies with
an additional lateral wing (except P0 components) to
refixate the trochanter major. All proximal components
are available in different body sizes (P0 - P3) and stem
length (80 mm - 110 mm) with an offset range of 43.5
mm to 47.7 mm.

↔ Offset 43.5 - 47.7 mm

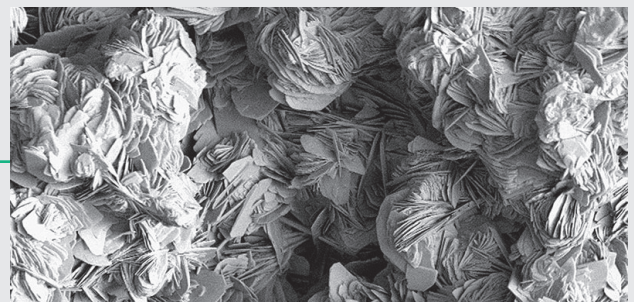
↑↓ Length 80 & 110 mm

∅ Diameter 17 - 21 mm



PLASMAPORE® coating

All 16 proximal components are coated with the proven
PLASMAPORE® coating and favors bone contact on the prox-
imal component surface.



AESCULAP® Prevision® Modular

The platform

Distal Component

The Prevision® modular system offers a wide range of distal options in stem length and diameter and gives the user great flexibility to cover easy to complex defects.

Modular Curved

The distal slim and anatomic curved Prevision® modular stem is fixed by its characteristic sub-proximal 4° stem design, plus the possible combination of temporary distal interlocking.

↕ 240 - 400 mm

∅ 12 - 24 mm

2°

Modular Straight

The straight Prevision® modular stem assists in obtaining a stable distal fixation with a 2° larger conical angle and offers the possible combination of temporary distal interlocking.

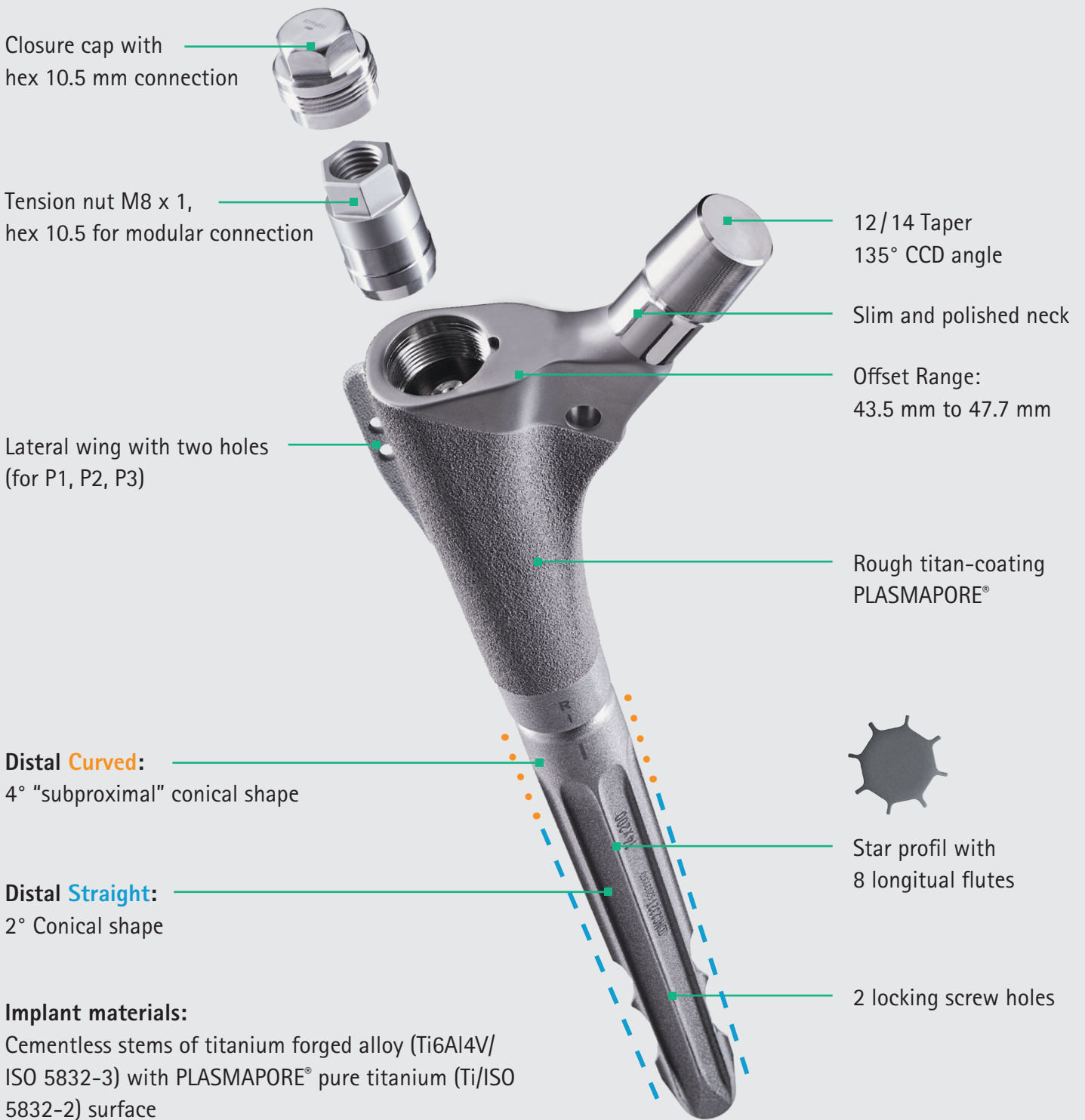
↕ 200 - 320 mm

∅ 12 - 24 mm

4°



In Design



AESCULAP® Prevision®

Surgical technique

Preparation

Preoperative planning

The goal of hip revision is the optimum anatomic reconstruction of the affected joint. During preoperative planning the various alternatives are considered, potential sources of complications are identified and the optimum treatment outcome is defined.

Approaches

This surgical technique does not describe any particular approach for the AESCULAP® Prevision® System. The surgeon can do any preferred approach with the patient in a lateral or supine position.

Reference points for the joint reconstruction, the alignment of the instruments should be carefully defined and taken into the pre-op planning such as the intra-op realization.



AESCULAP® Prevision® Monobloc

Surgical technique

Preparation | Femoral

Initially the femoral canal is prepared with the conical distal reamers. Starting with the smallest size (Ø 9), increase the diameter until the reamer is well seated considering the planned implant length and diameter.

The reaming length is clearly marked on the reamer shaft corresponding to the implant length of the Prevision® Monobloc stem **1**. Use anatomical landmarks (greater and lesser trochanter) for intraoperative orientation of instruments and implants.

The aim of the intramedullary preparation to achieve a good contact to the cortical bone according to the planned stem length.

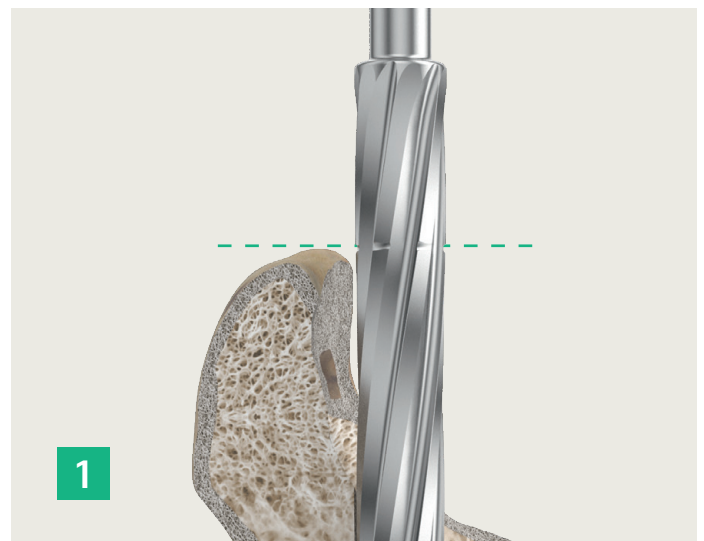
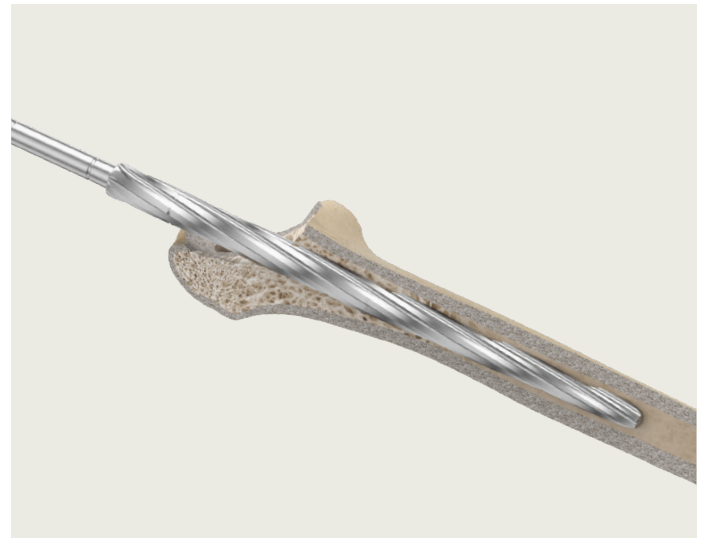
The form rasps in increasing order are to be used to further prepare the proximal area until a good stability of the form rasp is achieved. The insertion depth is indicated by the marking line on the form rasp. In case of insufficient bone stock proximally, the greater trochanter serves as a reference.

NOTE:

The final size of the reamer should be identical to the final size of the form rasp.

NOTE:

When planning a cemented stem, the thickness of the cement mantle (1 mm) is already integrated in the cementless stem design.



AESCULAP® Prevision® Monobloc

Surgical technique

Trial reduction

The trial reduction is done with the modular trial neck adapter with standard offset (CCD 135°), connected to the inserted Prevision® Monobloc rasp. Universal trial heads with a neck length from S to XL and diameters from 22.2 - 40mm allow a precise simulation of the implant geometry.

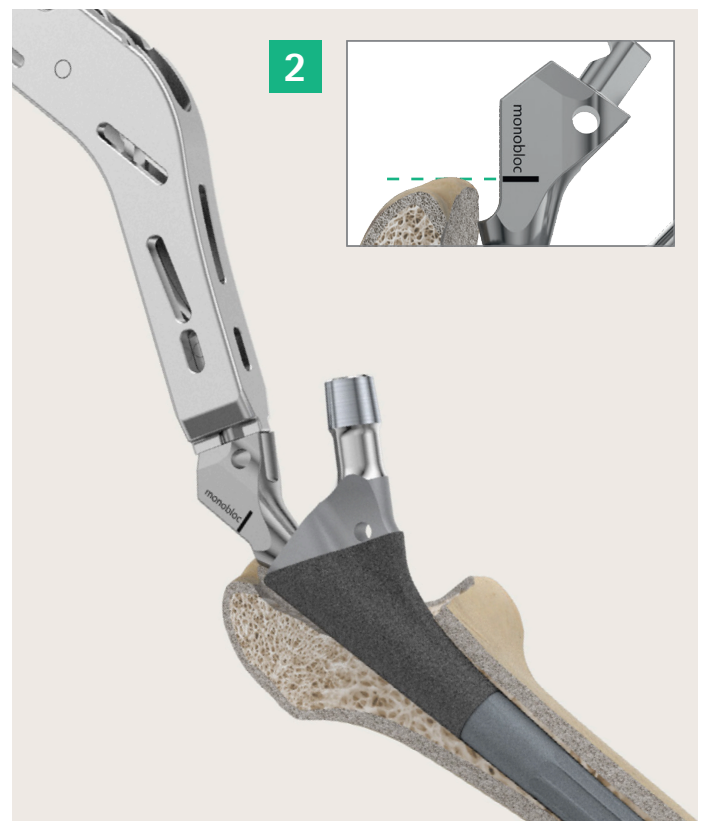
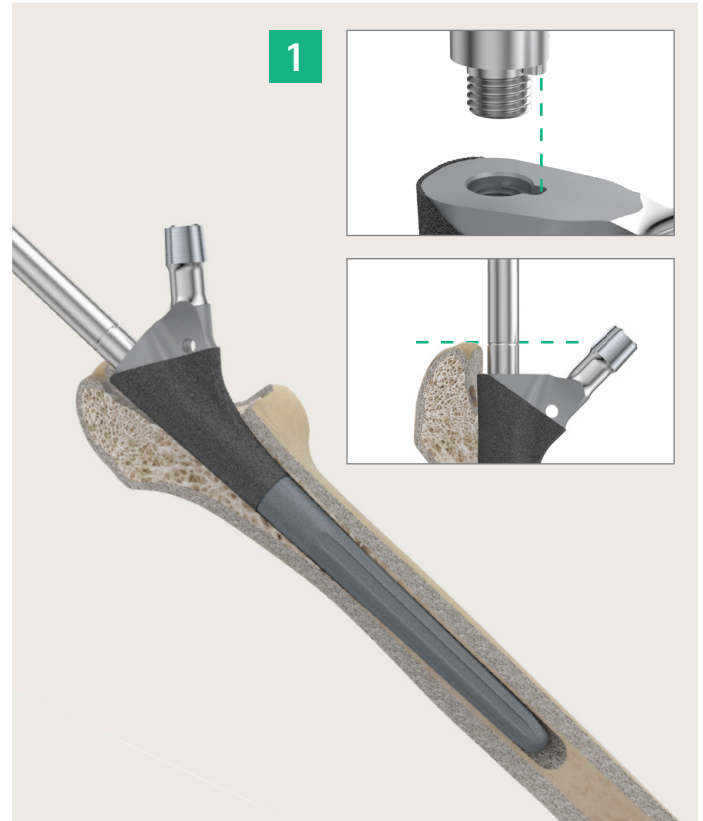


Implantation | Cementless

For the cementless implantation of Prevision® Monobloc the appropriate implant size corresponds to the last used rasp size.

The final implant component is attached to the impaction instrument **1** or to the adapter for the THA rasp handle **2**, screwed on the final implant component by using the screwdriver and attached to the rasp handle carefully. Thereby always observe antetorsion position.

The desired implant position is achieved by hammer impulses on the respective instrument. The correct implant depth is reached when either the mark of the impaction instrument or the adapter for the THA rasp handle is at the level of the defined reference line mostly the greater trochanter.



AESCULAP® Prevision® Monobloc

Surgical technique

Implantation | Cemented

For the Prevision® Monobloc implantation with bone cement the implant size is selected in relation to the last used rasp, considering the cement mantle pursuant to the table below.

Cement mantle thickness (mm)				
Rasp Size	12	13	14	15
Implant Size	12	12	14	14
Proximal Medial	1.5	1.5	1.5	1.5
Proximal Lateral	1	1.5	1	1.5
Distal (Reamer size)	0.6	1.1	0.6	1.1

The cement is applied after insertion of a distal intramedullary plug and jet lavage irrigation. On the packaging of each cemented implant the size of the corresponding centralizer is stated. The intended centralizer is to be used before implantation.

NOTE:

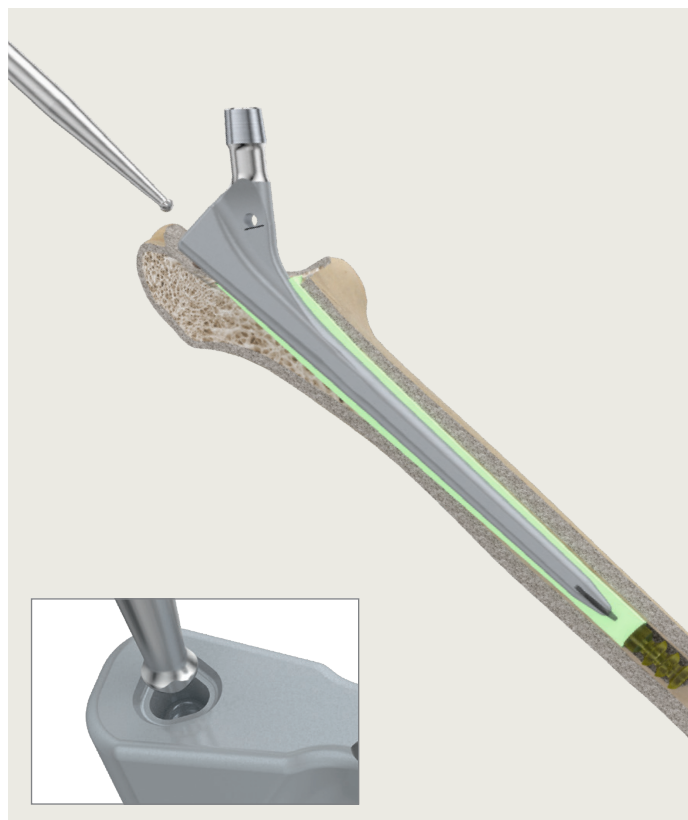
Follow the instruction for use of the AESCULAP® centralizers (TA008056).

NOTE:

Prepare and apply bone cement as described in the instructions for use provided by the cement supplier.

The cemented Prevision® Monobloc stems are inserted with the impactor carefully by hand without using a hammer. Always observe the correct axial position.

The final prosthesis head is determined by a final trial reduction. Careful cleaning and drying of the taper must be ensured before implantation.



AESCULAP® Prevision® Straight

Surgical technique

Preparation | Distal

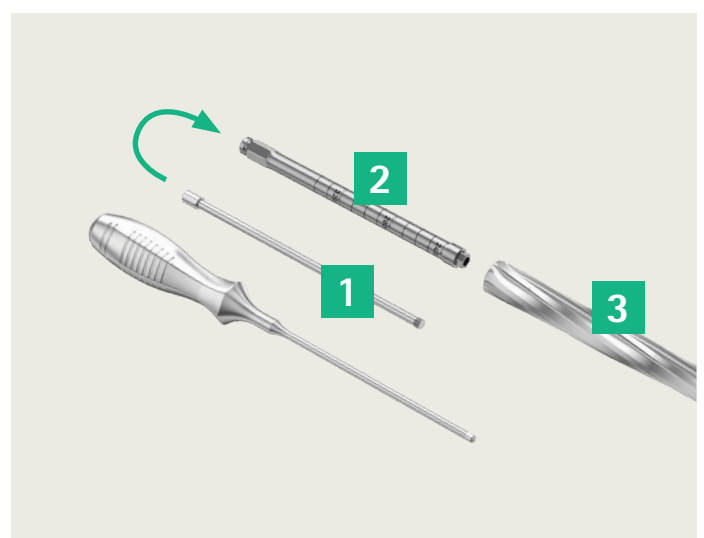
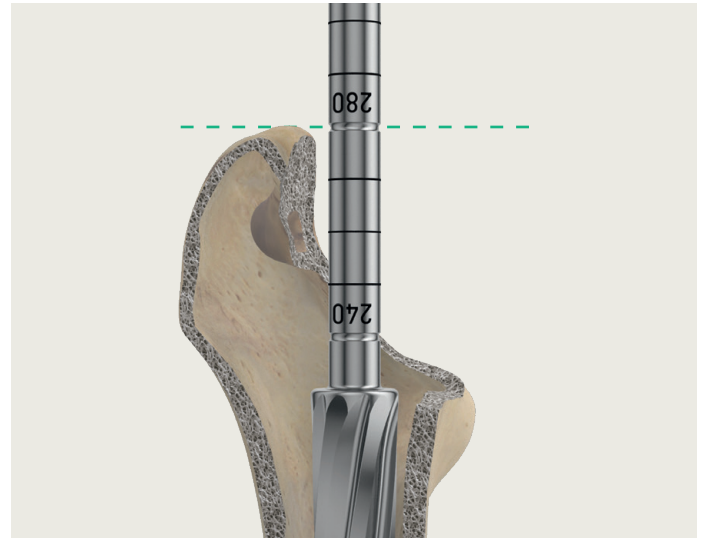
The implant bed is reamed manually and incrementally, starting with the smallest size. Then the diameters of the reamers are successively increased until the reamer is well seated at the desired location. The reaming length is clearly marked on the reamer shaft corresponding to the implant length of the Prevision® straight stems. Use anatomical landmarks (greater and lesser trochanter) for intraoperative orientation of instruments and implants.

Additional marks consider the correction elongation of the proximal implant components -10 mm, 0 mm, +10 mm and +20 mm. The aim of the intramedullary preparation is achieving a good contact to the cortical bone according to the planned stem length.

NOTE:

All reamers over Ø 18 are modular and need to be assembled.

To assemble a reamer size 19 to 24, slide the pull rod shaft **1** into the outer tube shaft **2** and connect the shaft to the distal reamer **3** by tightening the thread with a screwdriver.



AESCULAP® Prevision® Straight

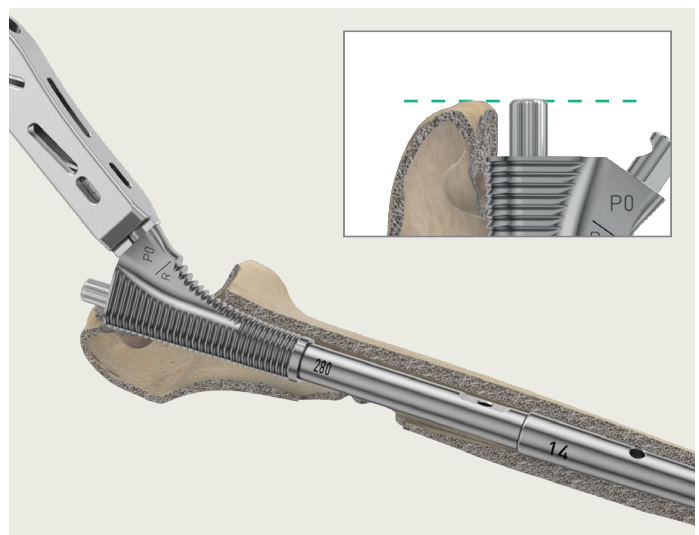
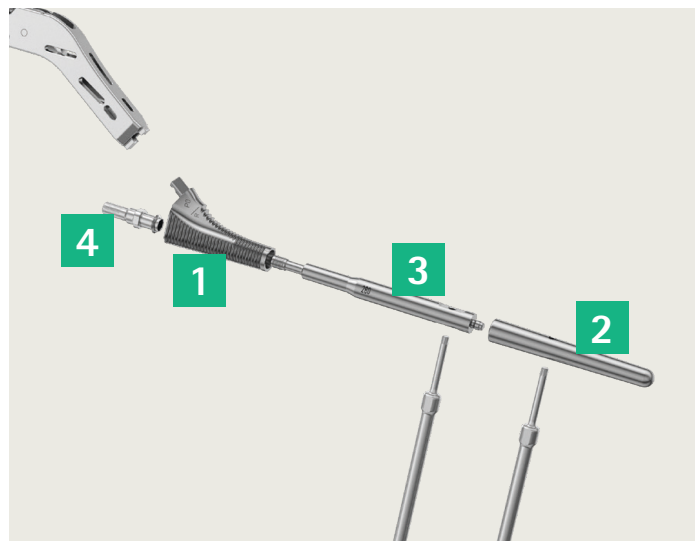
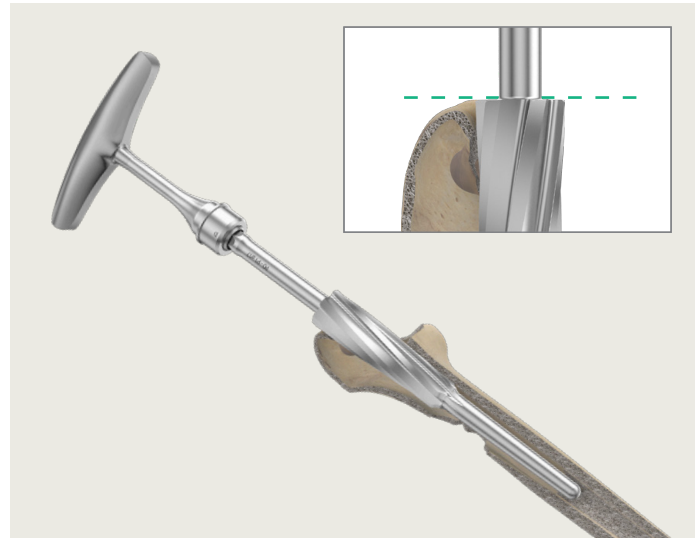
Surgical technique

Preparation | Proximal

The preparation of the proximal area is started with the proximal reamer. The upper end of the reamer teeth indicates the height of the joint center.

To prepare the proximal trial rasp **1**, the trial component **2** as well as the trial distance piece **3** with the respective diameter/length must be used and assembled with the planned proximal trial rasp using the clamping screw **4**. Tighten the components with the screwdriver respectively with the assembling pin(s).

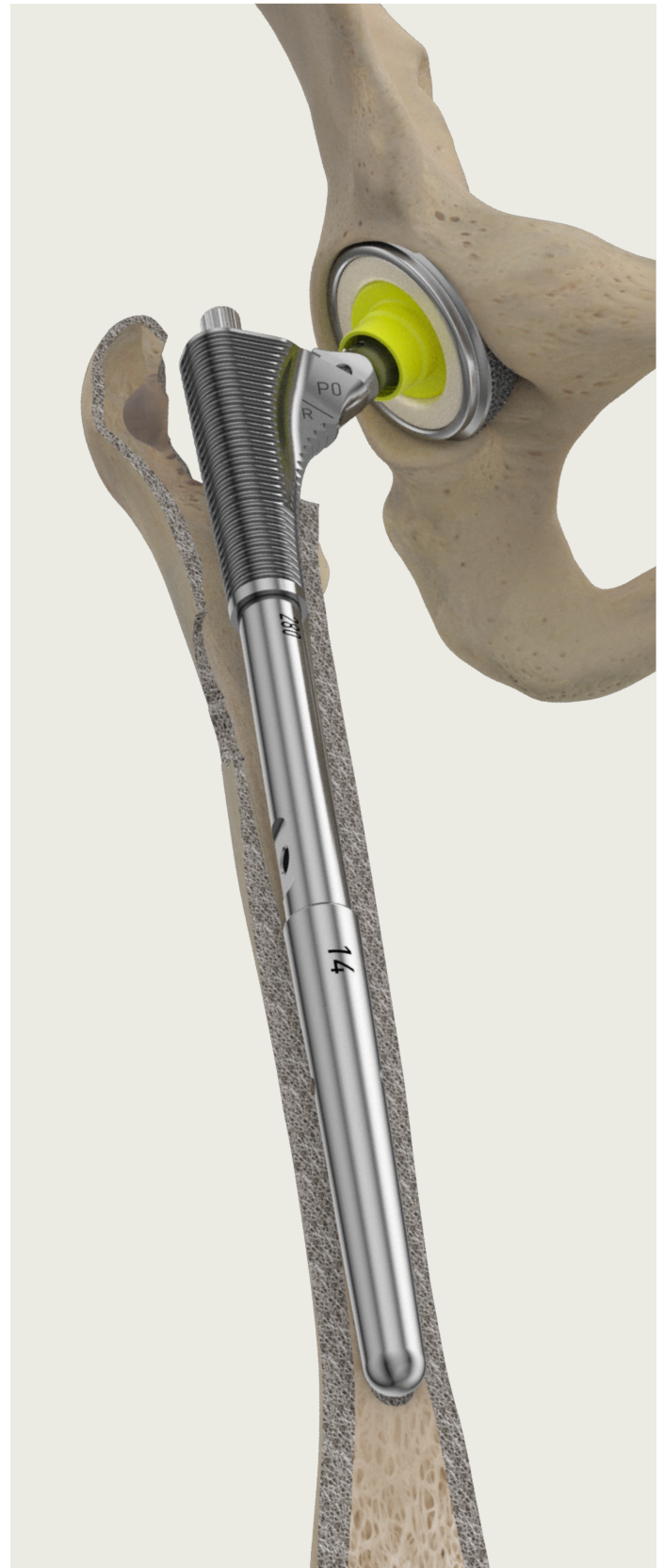
The assembled trial rasp is driven in with the modular rasp handle according to the planned proximal implant size, the planned leg length and the given bony defect. The tip of the screw indicates the height of the joint center.



Trial reduction

The assembled trial rasp serves for the final preparation of the proximal implant area as well as initial trial reduction using the trial neck with standard offset (CCD 135°) and the appropriate universal trial head.

Especially when the implant components are assembled extraosseous, trial reduction with the rasp components is fundamental.



AESCULAP® Prevision® Straight

Surgical technique

Implantation | Intraosseous

The selection of the distal implant component size and length is based on the final distal reamer.

The distal implant component is placed by using the distal impaction instrument. The marking on the impaction instrument indicates the height of the joint/head center.

The Prevision® stems offer also the option using distal interlocking screws in case of inadequate stability. The procedure of distal interlocking is described on [page 32](#).

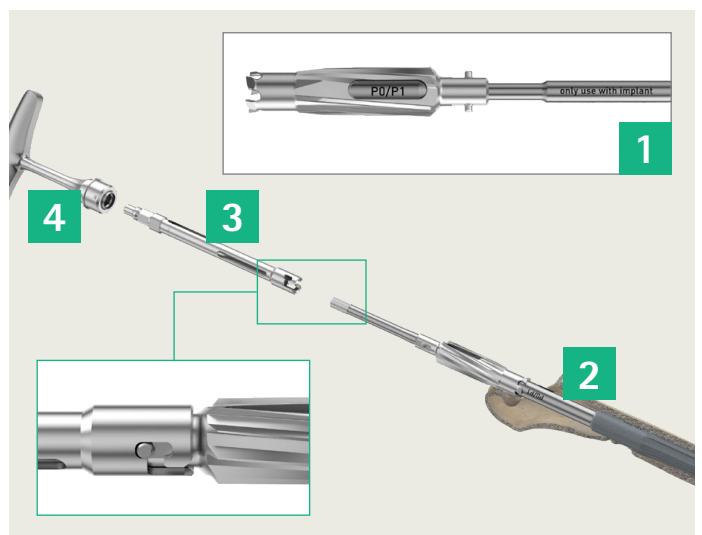
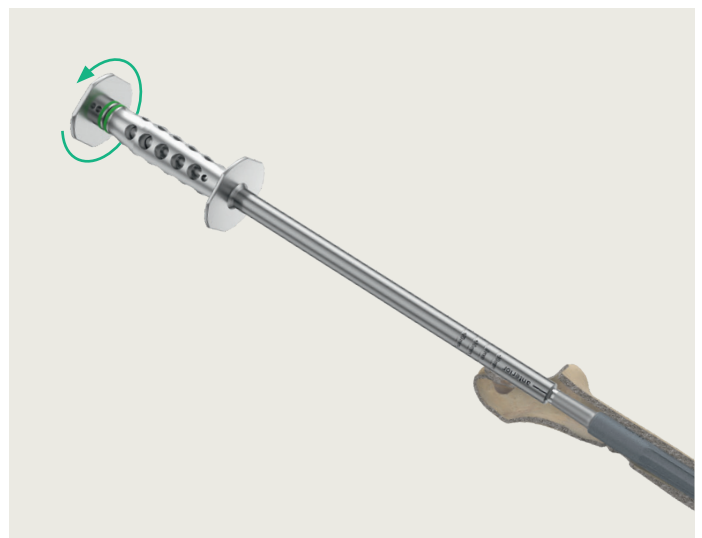
NOTE:

At this stage, it is recommended to take an intraoperative x-ray to check the correct position of the distal implant.

There are three conical reamers (P0/P1, P2 and P3) **1** available to rework the proximal part of the femur depending on the planned size of the proximal component. The lower connection part **2** of the conical reamer is carefully screwed on the already implanted distal implant and connected through the extension shaft **3** with the T-handle **4**.

The marking on the instrument as well as on the shaft for the conical reamer indicates the correct reaming length and need to be in-line.

The distal and proximal Prevision® implant components can also be assembled extraosseous and described on [page 31](#).



AESCULAP® Prevision® Curved

Surgical technique

Preparation | Distal & Proximal

The curvature of the femur and the curved stem philosophy requires the use of flexible reamers, introduced by an intramedullary guidewire. The femoral canal is machined with drill heads of larger diameters – in increments of 1 mm – until the flexible reamer is in contact with the conical bone over a distance of several centimeters. This will be indicated by the clear sound of the cortex.

NOTE:

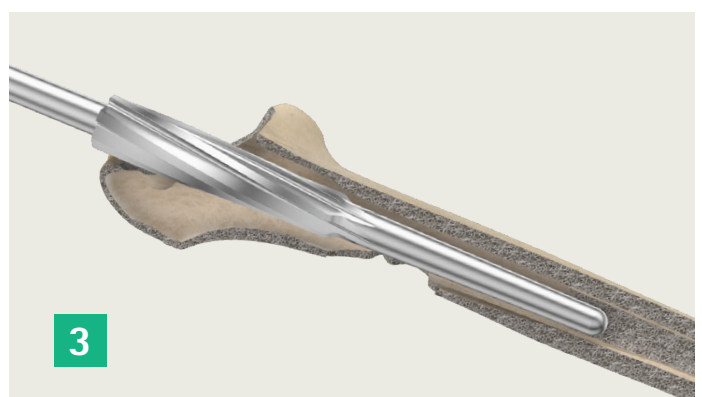
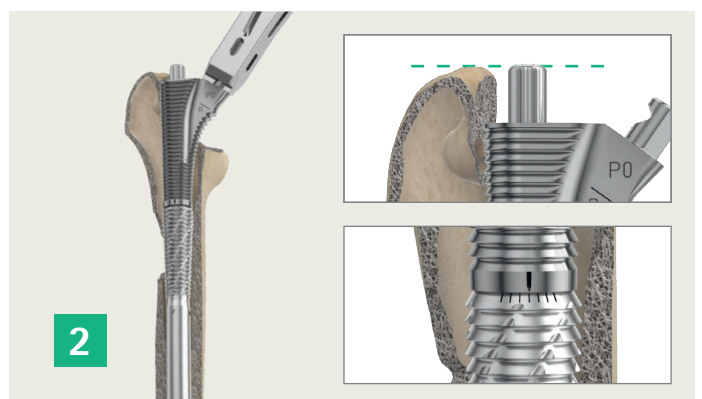
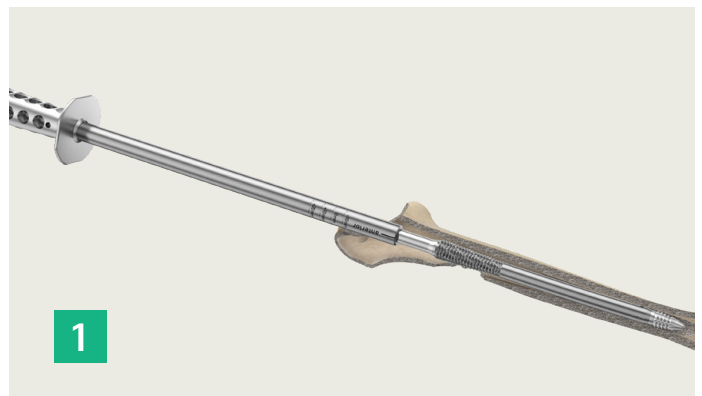
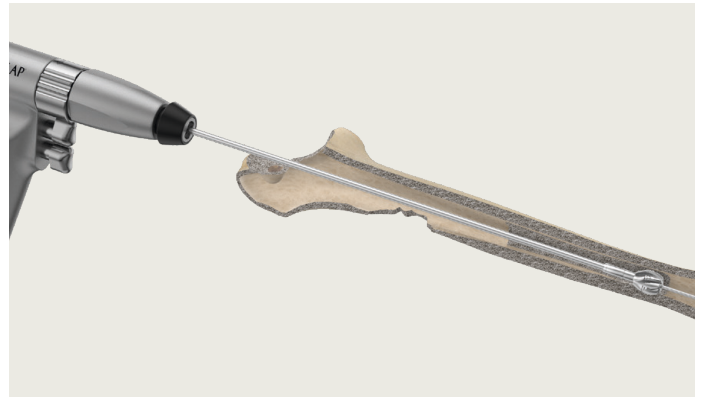
The central run of the drill in the femur should be checked with the X-ray imaging to avoid perforations.

Under consideration of the antetorsion position, the curved distal rasp can be used separately by attaching it to the impaction instrument **1** or assembled with the proximal rasp by using the rasp handle **2**.

NOTE:

When using the assembled modular rasps, the preparation of the proximal-lateral section starts with the proximal reamer first **3**.

Use anatomical landmarks (greater and lesser trochanter) for intraoperative orientation of instruments and implants.



AESCULAP® Prevision® Curved

Surgical technique

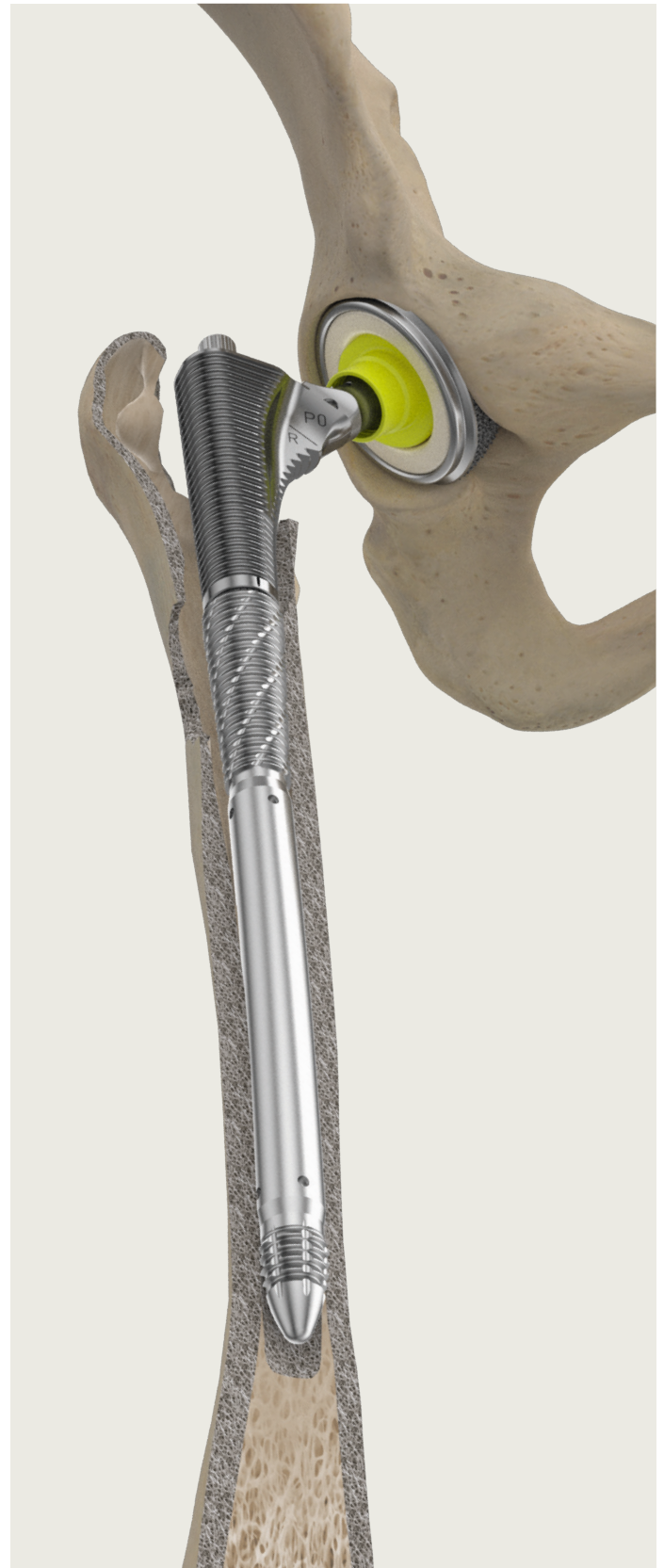
Preparation | Distal & Proximal

The assembled modular rasps are used to prepare the sub-proximal and the proximal implant area together and can also be used for initial trial reduction. Especially where the implant is used extraosseous, trial reduction with the rasp components is fundamental.

In selecting the size of the distal rasp component, a smaller diameter is chosen to start with and then each subsequent larger size selected in stages. Trial reduction can only be performed when using distal and proximal rasps assembled.

NOTE:

Do not use proximal trial implants in combination with distal rasps.



Implantation | Distal | Intraosseous

The selection of the stem size is based on the final distal rasp used and the stem length required. In case of transfemoral approach and in lack of subproximal support, the next larger implant diameter is selected.

The final distal implant is firmly screwed onto the color-coded impaction instrument (Green = Distal). The assembling pin(s) can be used in case of jamming.

Under consideration of the curvature of the distal implant component, the distal stem is placed. The marking on the impaction instrument shows the height of the joint center of the respective proximal implant components.

NOTE:

Anterior indicates the anatomical orientation.



AESCULAP® Prevision® Straight & Curved

Surgical technique

Trial reduction

For trial reduction, the selected trial component **1** with the appropriate color-coded longitudinal sleeve **2** is placed onto the distal implanted stem and fixed with the related color-coded **3** clamping screw. Tighten it with the screwdriver.

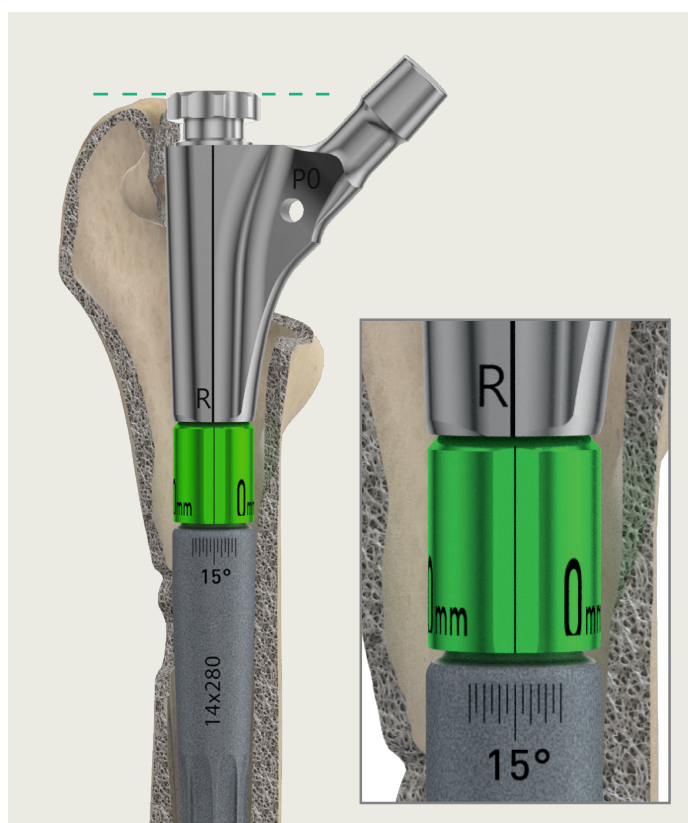
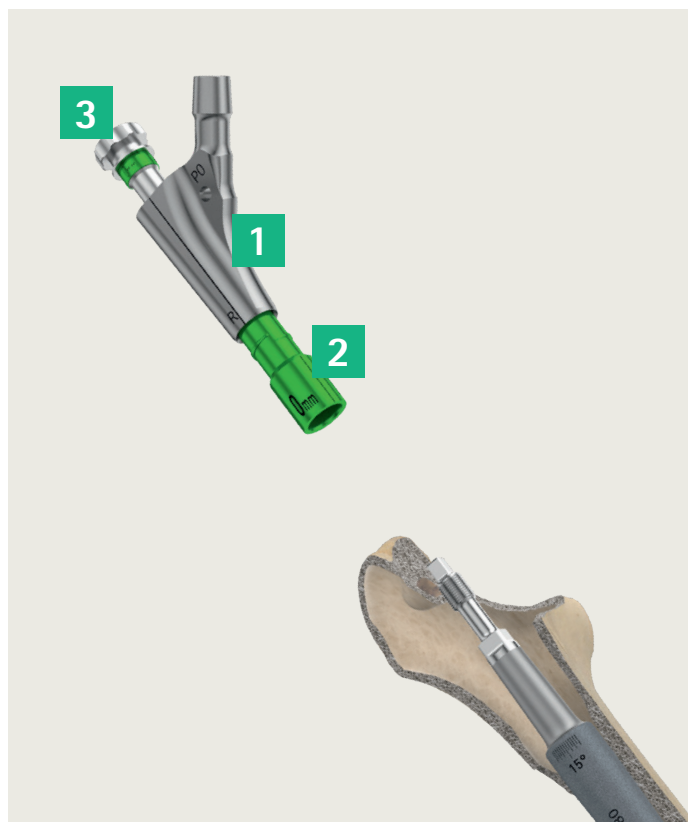
Color-coding			
White	Green	Blue	Yellow
-10mm	0mm	+10mm	+20mm

NOTE:

When using the Prevision® "Classic" proximal trial implants (NF790P, NF800P, NF820P, NF791P - NF793P, NF801P - NF803P, NF821P - NF823P), the usage of the classic trial heads are mandatory. Do not use the new Universal Trial Heads for Trial Reduction.

The Prevision® proximal components, the proximal rasps and the proximal trial components are marked with a line on the level of the interface of the distal component. This line is marked in an 15° antetorsion position in the right "R" as well in the left "L" side view.

The distal stem of Prevision® curved is marked with a scale to address the curvature of the stem. The distal implant component is marked anteriorly with a central line and in addition with a +/- 30° scale. The central aligned lines of the components corresponds to 15° antetorsion.



Implantation | Proximal | Intraosseous

If necessary, the conical reamer can be used again to rework the proximal part of the femur depending on the planned size of the proximal component (instructions see [page 24](#)).

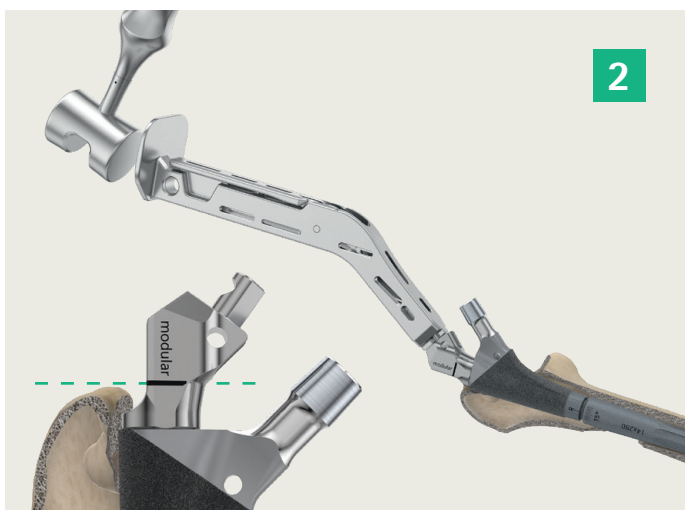
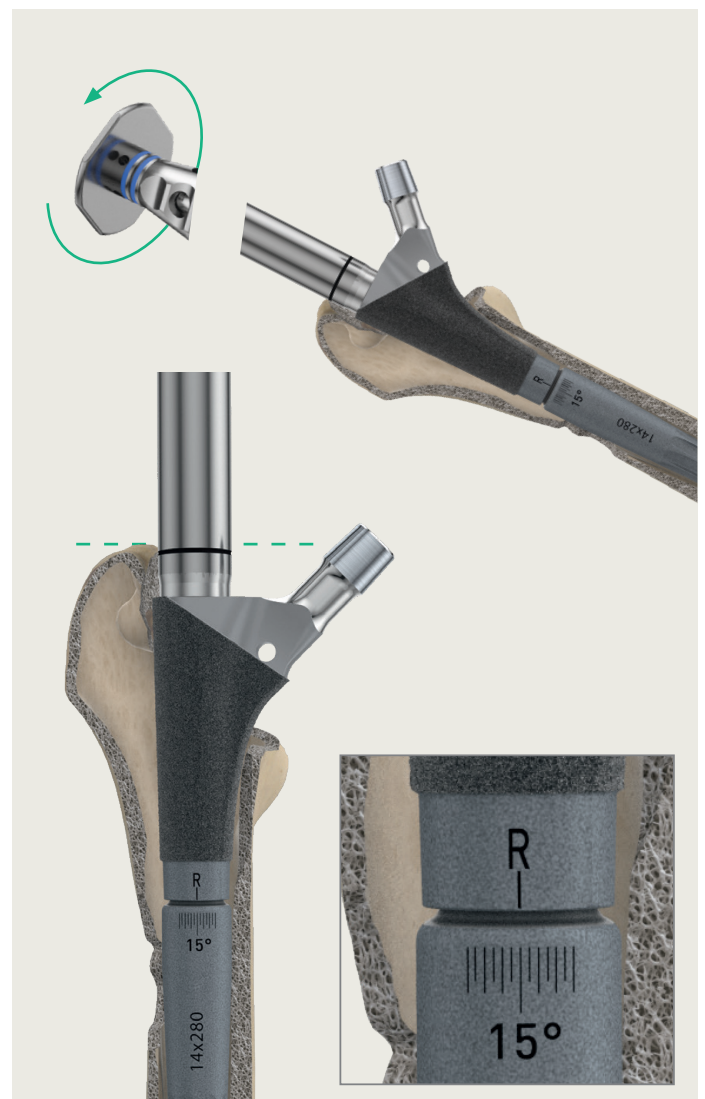
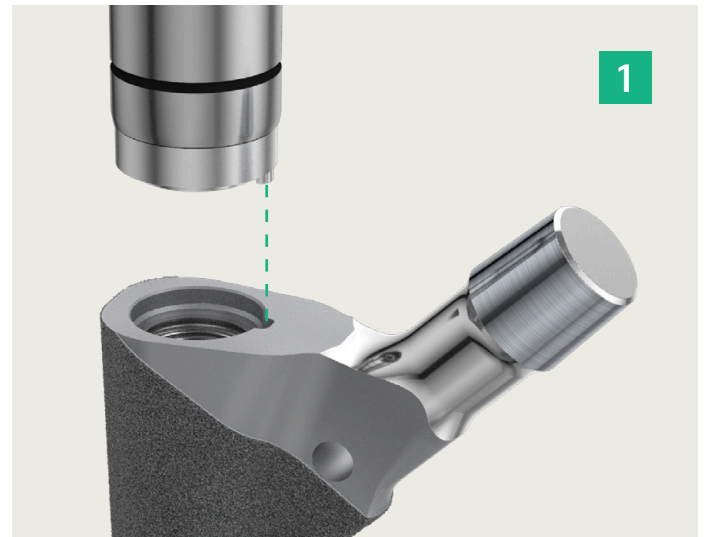
NOTE:

Before the proximal component is implanted, the fixation cone of the distal stem is thoroughly cleaned.

Either the color-coded insertion instrument (proximal = blue) can be used which is attached on the proximal component and carefully placed on the distal prosthesis stem **1** or the Prevision® modular adapter for THA rasps handle screwed on the proximal component with the screwdriver, the rasp handle attached and carefully placed on the distal prosthesis stem **2**. Thereby always observe antetorsion position.

NOTE:

For safety reasons, it is recommended to leave the protective sleeve on the implant taper until the final implantation of the head.



AESCULAP® Prevision® Straight & Curved

Surgical technique

Implant | Coupling

The assembling of the proximal and distal component is independent of the intraosseous or extraosseous assembling and is applied in the same way.

The tension nut **1** is set onto the socket wrench **2**, and manually screwed on the distal implant component. Subsequently, the adapter rod **3** of the counter holder is inserted through the socket wrench to the connection point of the distal stem so that it is engaged. Then the torque wrench **4** and the counter holder **5** are attached.

For coupling the implant components, the counter holder is held firmly, and the tension nut is tightened by turning the torque wrench clockwise, until it releases. The indicator must be set on "close" **6**. The torque wrench should be released and re-tightened after a short rest period until it is coupled.

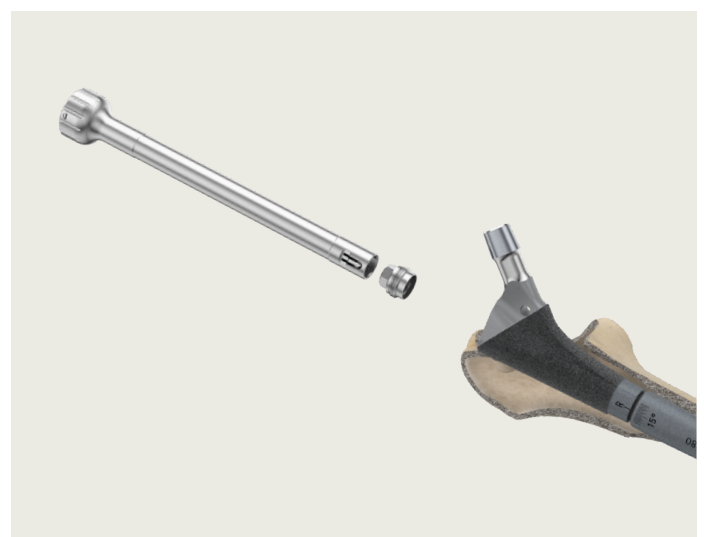
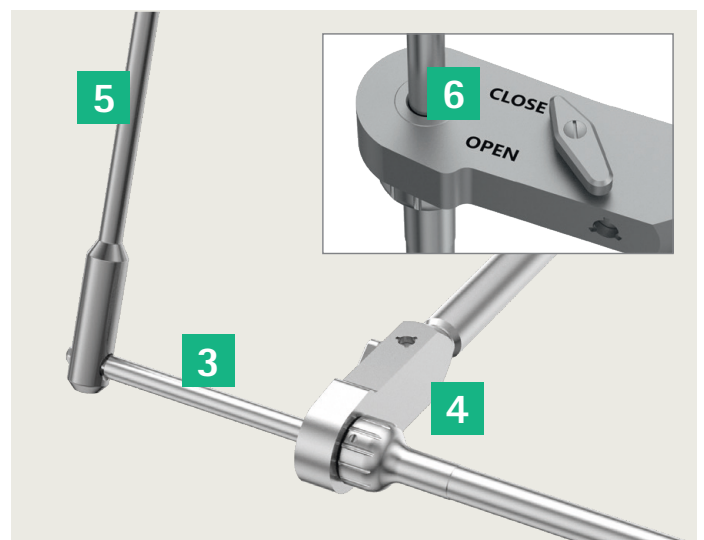
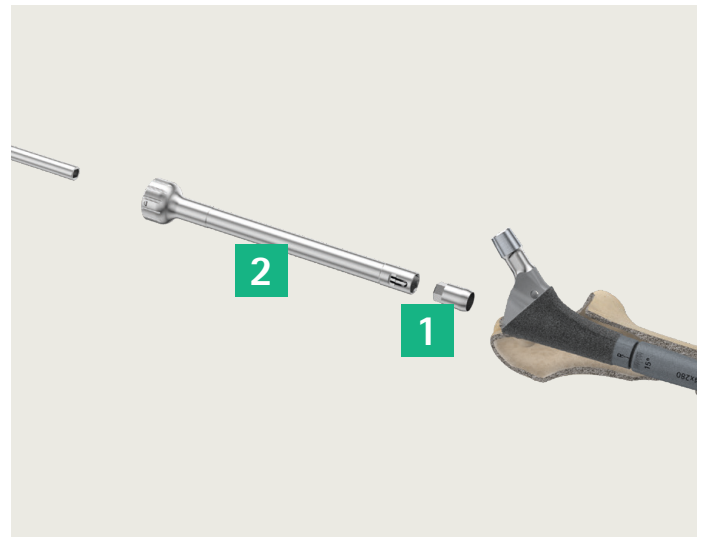
NOTE:

After reaching a (torque) value of 15 kN, the torque wrench releases, noticeable and audible by a clear noise.

The coupling mechanism is finally sealed with the closing cap supplied with the proximal implant components. If coupled extraosseous and after implantation, check the tightness of the implant components once again with the torque wrench. A final check is made on joint movement, muscular tension and leg length.

NOTE:

The final prosthesis head is determined by a final trial reduction. Careful cleaning and drying of the taper must be ensured before implantation.



Implantation | Extrasosseous

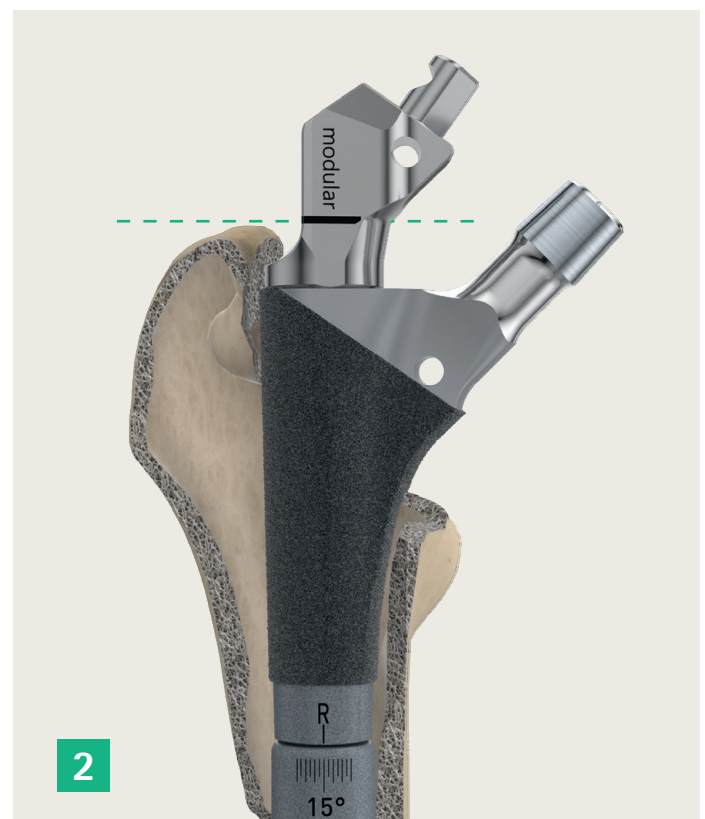
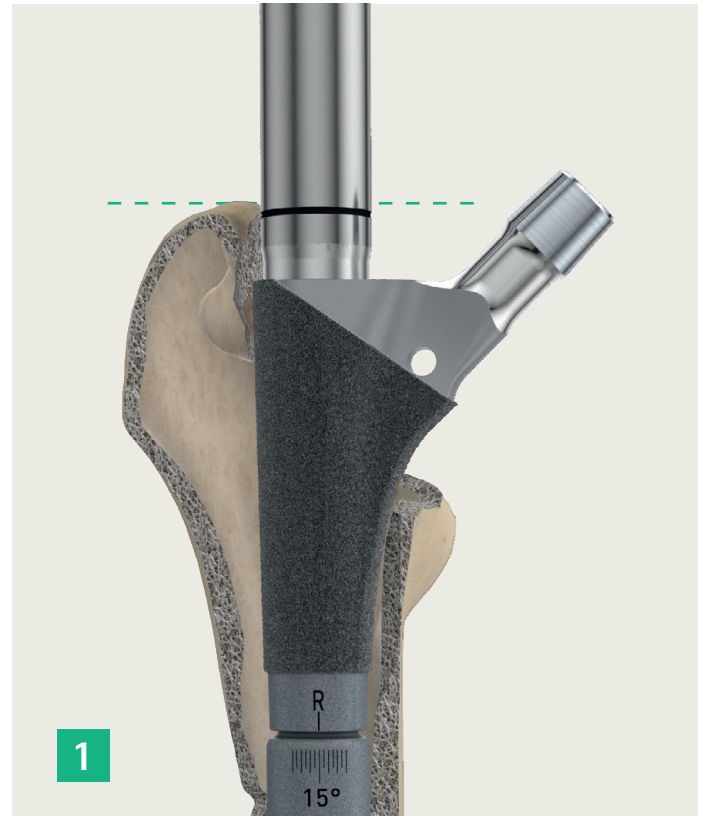
The distal and proximal Prevision® implant components can also be assembled to the already described intrasosseous method but outside the femur.

The selection of the stem size to be inserted is based on the final used distal and proximal rasps. In case of the transfemoral approach and in the lack of subproximal support, the next larger implant diameter in comparison to the final used distal rasp is selected. The assembled implant is screwed on the proximal implantation instrument **1** or the THA adapter **2** under consideration of the antetorsion position carefully inserted in the femur.

The desired implant position is achieved by hammer strokes on the instrument according to the markings.

NOTE:

After implantation, the tightness of the implant components must be checked once again with the torque wrench.



AESCULAP® Prevision® Straight & Curved

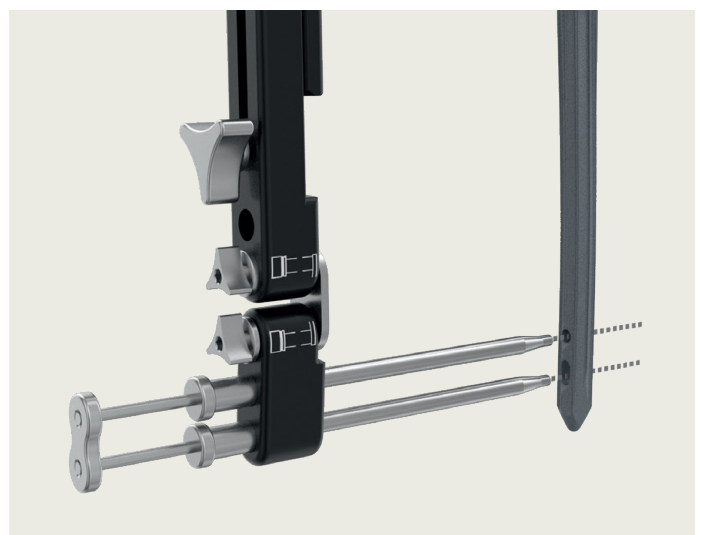
Surgical technique

Distal interlocking

In case of inadequate primary stability, and as a matter of principle when using the transfemoral approach, the prosthesis is locked distally.

This locking can be performed freehand under image intensifier control or using a special target device. If this device is to be used, it is first adjusted to the individual prosthesis before the stem is implanted.

The targeting device is attached on the impaction instrument that is firmly attached to the implant stem and adjusted according to the screw holes on the stem using a targeting guide. The screws of the targeting device are firmly tightened from a proximal to a distal direction. If the targeting device becomes twisted, all the screws must be loosened and the targeting device re-orientated and re-fixed into the position to guarantee correct function. The targeting device is then removed and stored safely during implantation of the stem, following implantation it is reattached.

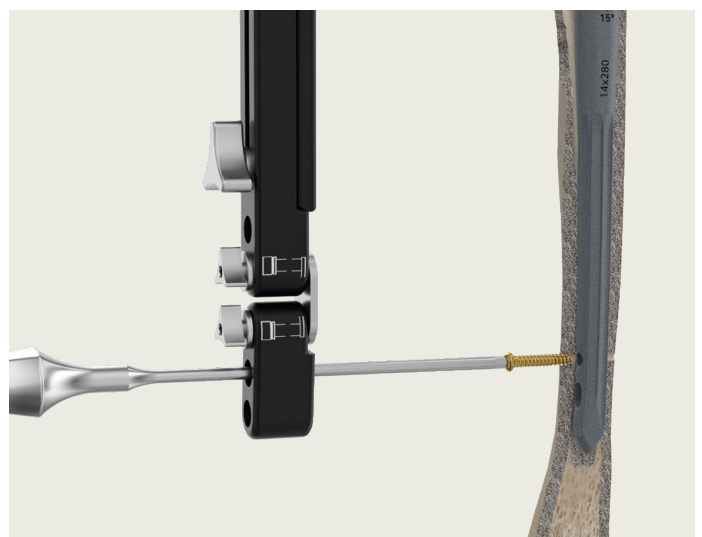


Distal interlocking

The tissue protection sleeves serve as the working channel for drilling, measuring and inserting the locking screws.

The screw holes are first prepared using the bicortical drill \varnothing 3.5 mm and subsequently enlarged only in the lateral cortical bone with the drill \varnothing 5.0 mm.

The screw gauge indicate the minimal length of the interlocking screws to be used.



AESCULAP® Prevision® Straight & Curved

Surgical technique

Implant decoupling

If malpositioning occurs when the proximal implant is being attached to the distal component, the connected components can be taken apart using the disconnection instrument.

NOTE:

If the tension nut has already been inserted, it is opened and removed (make sure the torque wrench is on "OPEN" – for further instructions, please see chapter assembling).

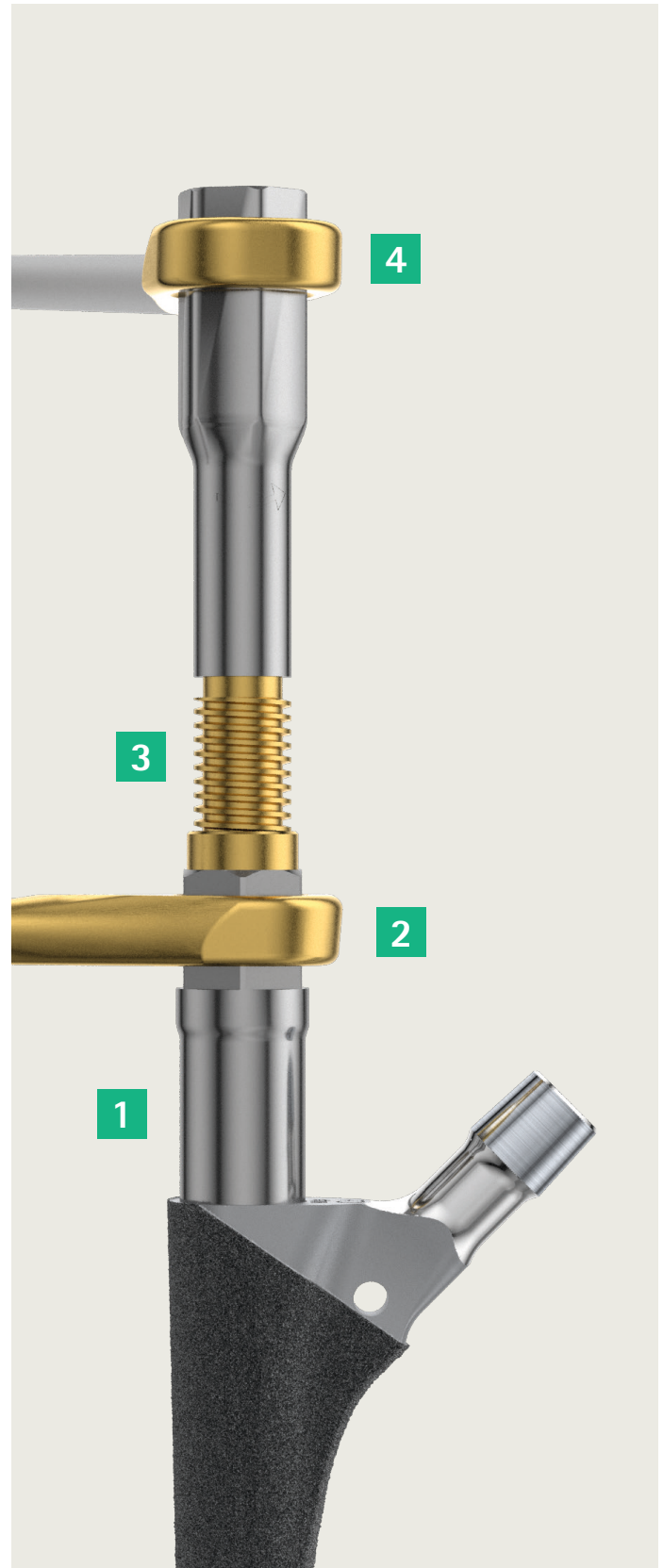
After the closure cap and the tension nut have been removed, separate the proximal implant from the distal implant using the golden disconnection instrument. Firmly screw-on one part **1** of the disconnection instrument on the proximal component, tighten it with one counterholder with the golden hexagonal ending **2**. Screw on the second part **3** of the disconnection instrument (gold on gold), put on the second counterholder with the golden hexagonal ending **4**, and keep on going with screwing until both components are separated.

Before the position is changed or a new proximal component is connected, the surface of the cone on the distal component should be thoroughly inspected. If the cone surface is damaged, no proximal component may be attached.

NOTE:

In case of revision of Prevision® prosthesis the change of the proximal component is only allowed if the cone surface is not damaged.

In seldom cases the decoupling of the implant components is not possible due to the consolidated cone junction.



Implant removal (one piece)

When removing a modular stem, the locking screw(s) and the closure cap are removed. The blue color-coded proximal impaction instrument **1** or the adapter for THA rasp handle **2** is attached to the proximal implant component and thereafter the prosthesis shaft completely hammered out with the slotted hammer or the respective rasp handle when using the adapter for THA rasp handle. The bone implant interface should be inspected and detached.

NOTE:

To avoid damages on the thread, the proximal impactor or adapter for THA rasp handle is fully screwed in.

NOTE:

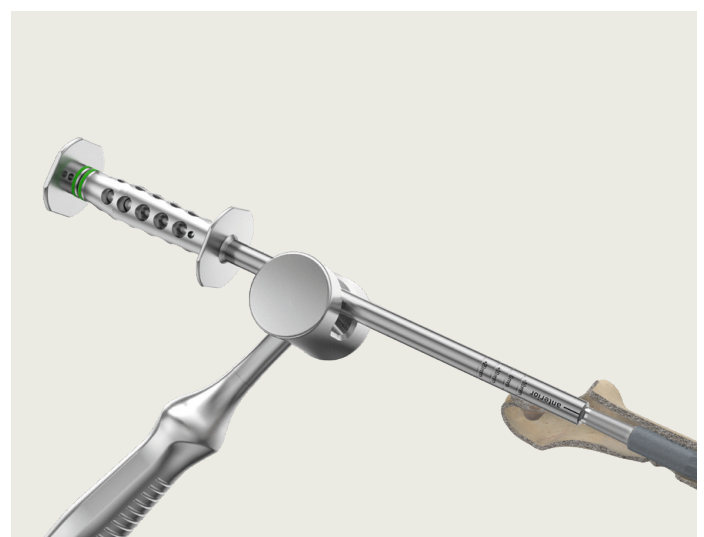
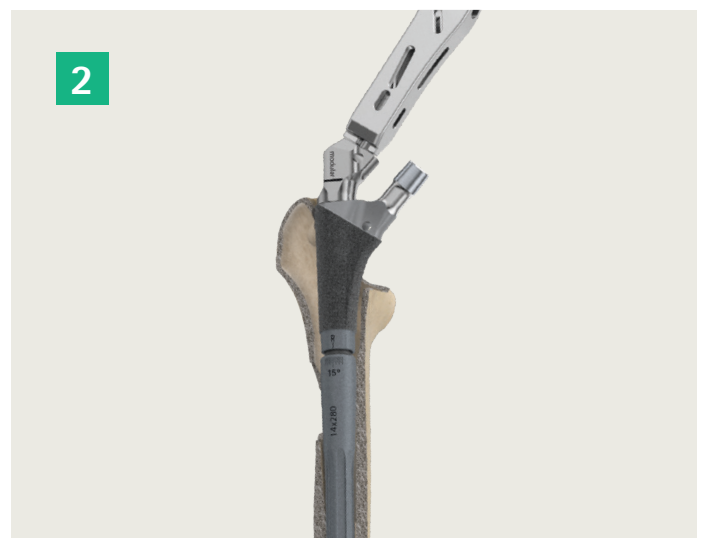
In rare cases, when the impactor cannot be screwed onto the stem, it is also possible to screw only the inner part of the impactor directly onto it.

Implant removal (distal)

The already inserted interlocking screw(s) are removed. The green color-coded distal impaction instrument is attached to the distal implant component and thereafter the prosthesis shaft completely hammered out with the slotted hammer.

NOTE:

In seldom cases the decoupling of the implant components is not possible because of the consolidated cone junction.



AESCULAP® Prevision® Monobloc

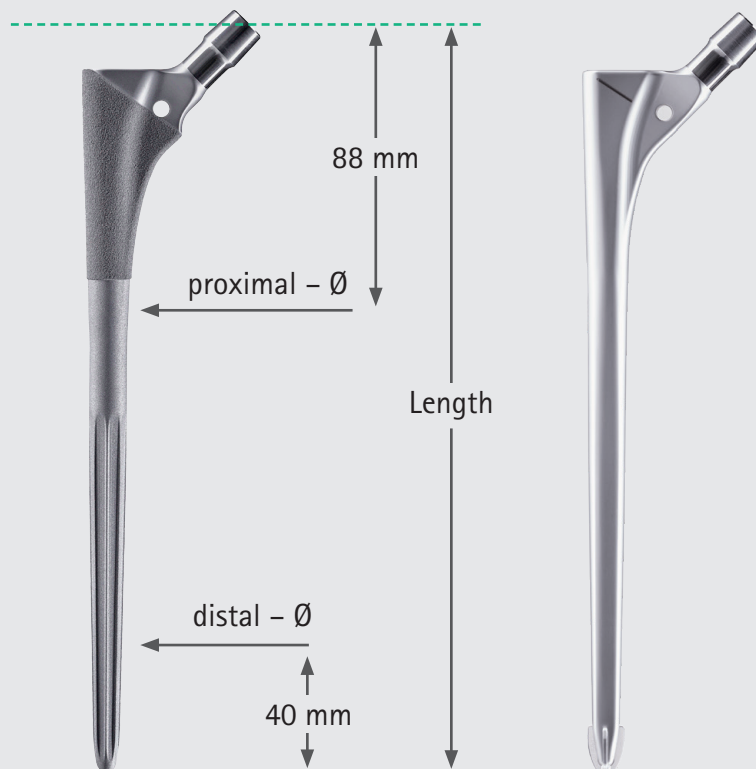
Implants

Size (mm)	Proximal Ø (mm)	Distal Ø (mm)	Offset (mm)	Cementless		Cemented		Centralizer
				Length (mm)		Length (mm)		
				200	240	200	240	
10	13	10	40.5	NC1210T	NC1220T	-	-	-
11	14	11	42	NC1211T	NC1221T	-	-	-
12	15	12	43.5	NC1212T	NC1222T	NK1412K	NK1422K	NK090
13	16	13	43.5	NC1213T	NC1223T	-	-	-
14	17	14	43.5	NC1214T	NC1224T	NK1414K	NK1424K	NK092
15	18	15	43.5	NC1215T	NC1225T	-	-	-

Please order separately x-ray templates 1.15:1

NT1254 Prevision® Monobloc x-ray template 1.15:1

NT1255 Prevision® Monobl. x-ray templ. cem 1.15:1



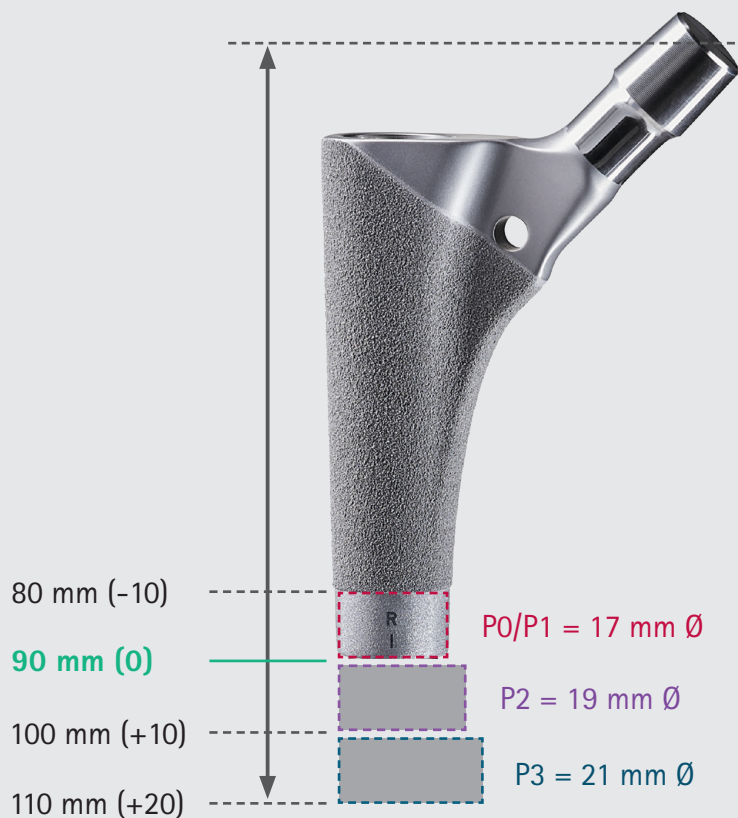
AESCULAP® Prevision® Modular

Implants

Size	Proximal Ø (mm)	Offset (mm)	80 mm (-10 mm)	90 mm (0 mm)	100 mm (+10 mm)	110 mm (+20 mm)
P0	17	43.5	NC880T	NC890T	NC900T	NC910T
P1	17	44.9	NC881T	NC891T	NC901T	NC911T
P2	19	46.3	NC882T	NC892T	NC902T	NC912T
P3	21	47.7	NC883T	NC893T	NC903T	NC913T

Please order separately x-ray templates 1.15:1

ND536 Prevision® x-ray templ. prox. AP/ML 1.15:1



Closing cap and tension nut are parts of the proximal implant component

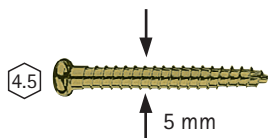
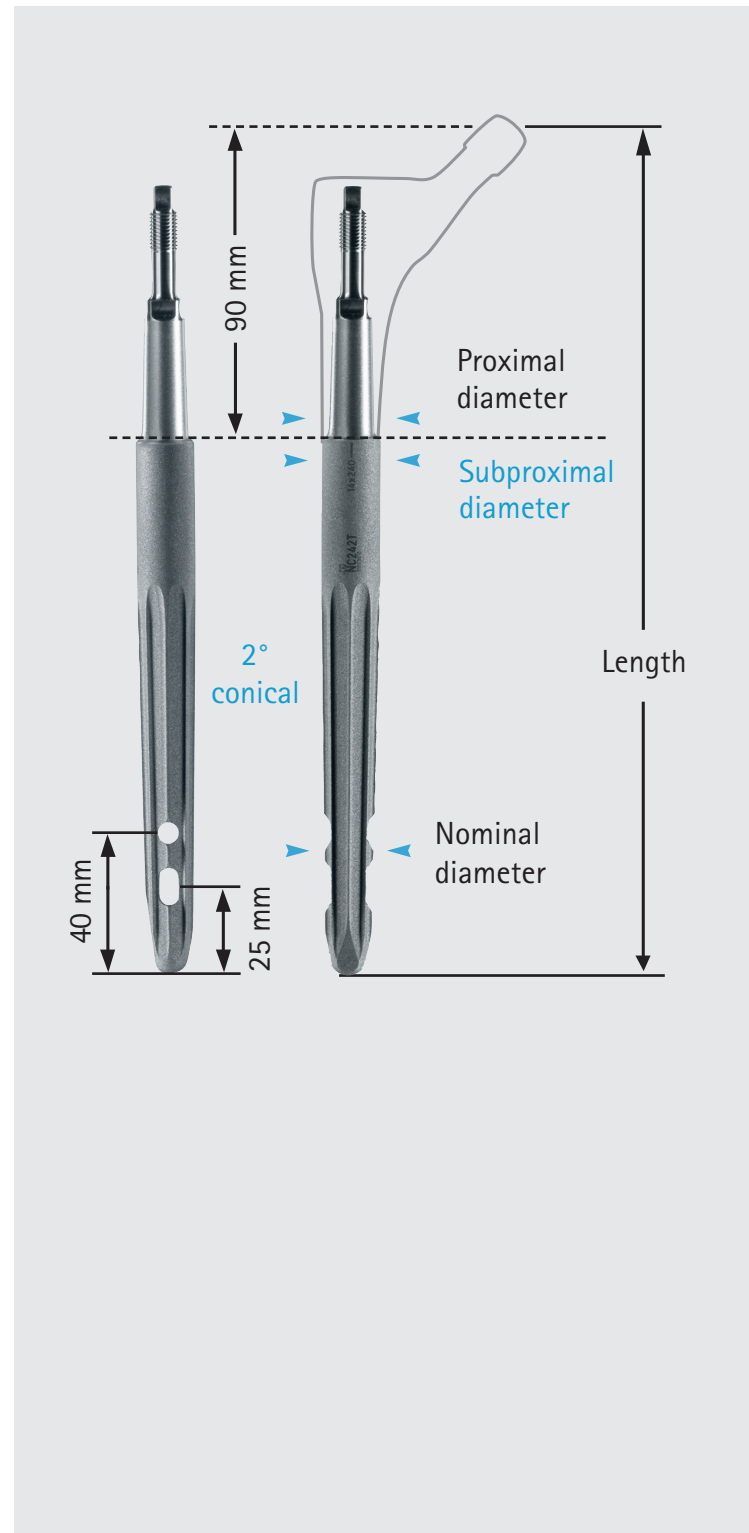
AESCULAP® Prevision® Straight

Distal implants

Length Ø Nominal	Length			
	200 mm	240 mm	280 mm	320 mm
12 mm	NC231T	NC241T	NC251T	NC261T
13 mm	NC186T	NC192T	NC198T	-
14 mm	NC232T	NC242T	NC252T	NC262T
15 mm	NC187T	NC193T	NC199T	-
16 mm	NC233T	NC243T	NC253T	NC263T
17 mm	NC188T	NC194T	NC200T	-
18 mm	NC234T	NC244T	NC254T	NC264T
19 mm	NC189T	NC195T	NC201T	-
20 mm	NC235T	NC245T	NC255T	NC265T
21 mm	-	-	-	-
22 mm	NC236T	NC246T	NC256T	NC266T
23 mm	-	-	-	-
24 mm	NC237T	NC247T	NC257T	NC267T

Please order separately x-ray templates 1.15:1

ND534 Prevision® x-ray templ. dist. AP/ML-proj



Interlocking screws

24 mm	28 mm	32 mm	36 mm	40 mm
KB424TS	KB428TS	KB432TS	KB436TS	KB440TS
44 mm	48 mm	52 mm	56 mm	60 mm
KB444TS	KB448TS	KB452TS	KB456TS	KB460TS

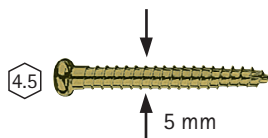
AESCULAP® Prevision® Curved

Distal implants

Length Ø Nominal	Length				
	240 mm	280 mm	320 mm	360 mm	400 mm
12 mm	NC041T	NC151T	NC161T	-	-
13 mm	-	-	-	-	-
14 mm	NC042T	NC152T	NC162T	NC132T	-
15 mm	-	-	-	-	-
16 mm	-	NC153T	NC163T	NC133T	NC143T
17 mm	-	-	-	-	-
18 mm	-	NC154T	NC164T	NC134T	NC144T
19 mm	-	-	-	-	-
20 mm	-	NC155T	NC165T	NC135T	NC145T
21 mm	-	-	-	-	-
22 mm	-	NC156T	NC166T	NC136T	NC146T
23 mm	-	-	-	-	-
24 mm	-	NC157T	NC167T	NC137T	NC147T

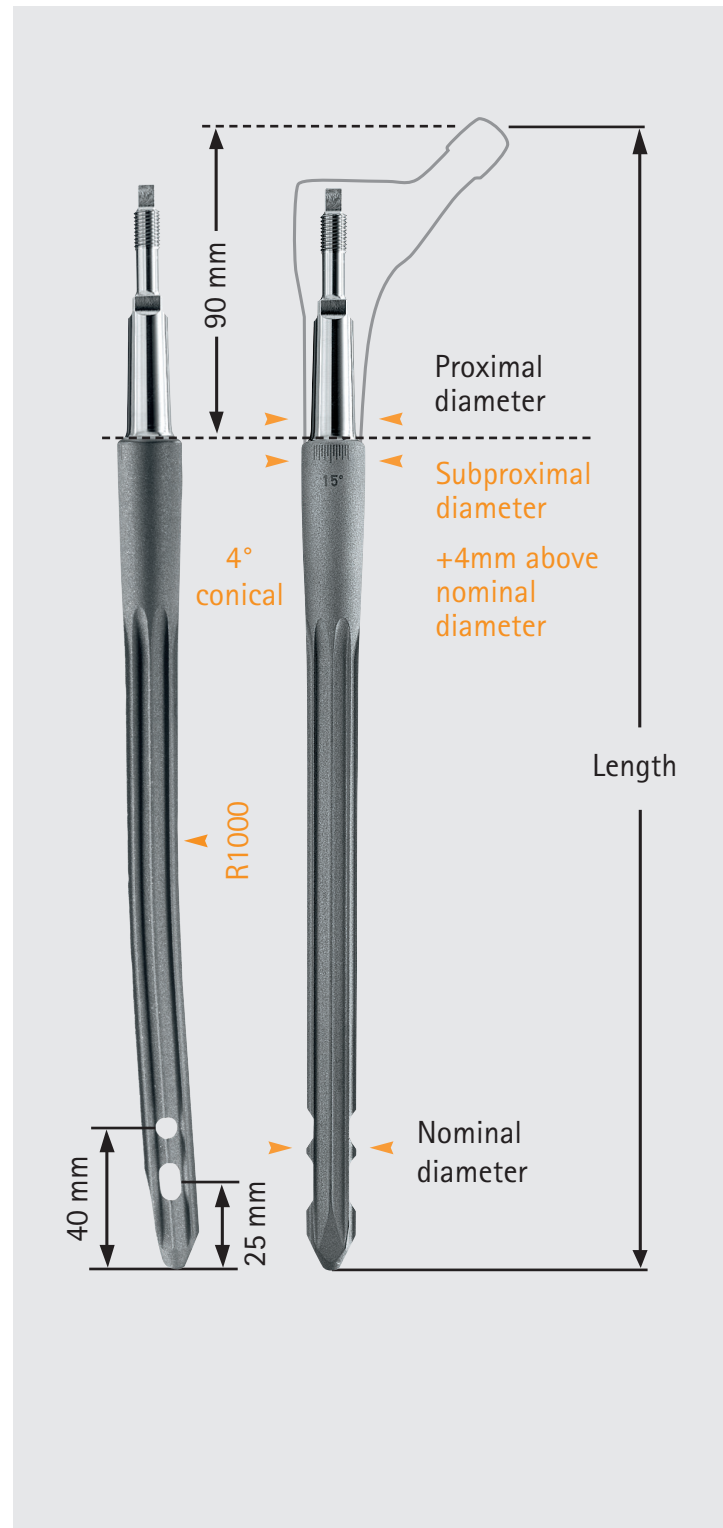
Please order separately x-ray templates 1.15:1

ND552 AP | ND554 ML Prevision® x-ray templ. dist. AP/ML-proj



Interlocking screws

24 mm	28 mm	32 mm	36 mm	40 mm
KB424TS	KB428TS	KB432TS	KB436TS	KB440TS
44 mm	48 mm	52 mm	56 mm	60 mm
KB444TS	KB448TS	KB452TS	KB456TS	KB460TS



AESCULAP® Prevision® System

Instrument set overview

Flexibility in set arrangement

Linked to the different needs and operational techniques the Prevision® sets are highly flexible to be arranged and organized. A basic defined instrument configuration leads already to the monobloc or the modular implant lines. By various extension options, the

instrument set can be extended in length, diameter or optional instruments such as aiming devices for distal blocking. At a very early stage, Prevision® supports a smooth and smart workflow, less storage and fast reprocessing.

Modular

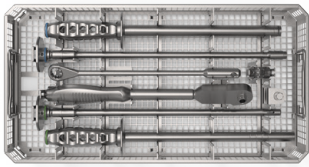
Materialnumber	Description	Options
NT1300	Prevision® Basic Instruments 1	Must
NT1302	Prevision® Basic Instruments 2	Must
NT1306	Prevision® straight distal reamers Ø 12 - 18 mm	Must
NT1308	Prevision® straight distal reamers Ø 19 - 24 mm	Optional
NT1310	Prevision® curved distal rasps 240, 280, 320 mm	Must
NT1312	Prevision® curved distal rasps 360 mm	Optional
NT1314	Prevision® curved distal rasps 400 mm	Optional
NT1304	Prevision® Intraosseous Instruments	Optional
NT1316	Prevision® set Aiming device	Optional
NG864	MFR Hip Revis.Set/Reamer heads D10-24 mm	Optional
NG848	Prevision® P0 Addition	Optional*

*only relevant for an existing Prevision® Classic Modular user and contains only Instruments for P0 (0mm, +10mm, +20mm) usage.

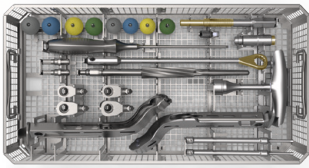
Monobloc

Materialnumber	Description	Options
NT1302	Prevision® Basic Instruments 2	Must*
NT1250	Prevision® Monobloc	Must

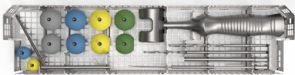
*Basic Tray 2 is only necessary when using Monobloc as a single system.



Basic 1

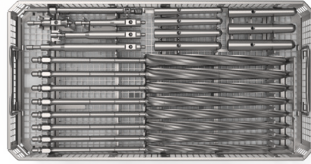


Basic 2

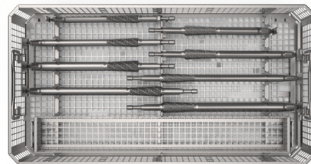


PO Additional

or/and

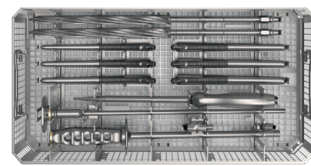


Modular **straight** 12 - 18 mm

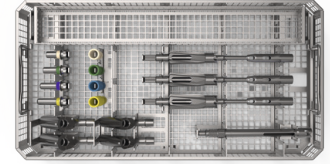
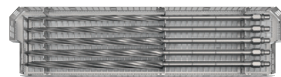


Modular **curved** 240 - 320 mm
and Flexible Reamer

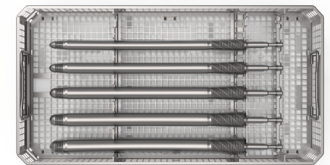
or/and



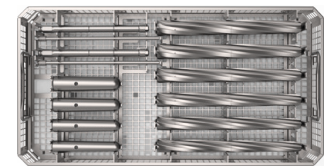
Monobloc



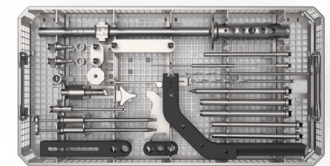
Intraosseous assembling



Curved 360 / 400 mm



Straight 19 - 24 mm



Targeting device

Basic set-up

Straight

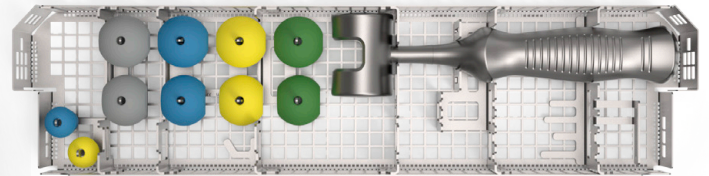
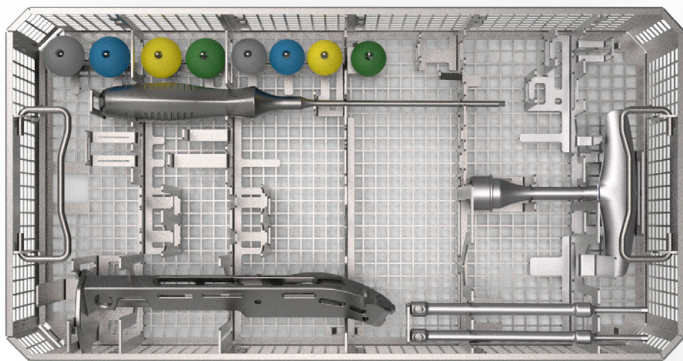
Curved

Monobloc

Optional

AESCULAP® Prevision® Monobloc

Instrument overview



Prevision® Monobloc Basic (Please order single components)

NT1303R	Prevision® Tray Basic Instruments 2
JH217R	1/1 Size Wide Perf. Basket Lid 489 x 257 mm
TF389	Packing Stencil F/NT1303R (NT1302)
NT1346R	Screwdriver AF 4.5
NT1355R *	Prevision® Assembling Pin
NT951	AESCULAP® Univ. Trial Head 12/14 28 mm S
NT952	AESCULAP® Univ. Trial Head 12/14 28 mm M
NT953	AESCULAP® Univ. Trial Head 12/14 28 mm L
NT954	AESCULAP® Univ. Trial Head 12/14 28 mm XL
NT961	AESCULAP® Univ. Trial Head 12/14 32 mm S
NT962	AESCULAP® Univ. Trial Head 12/14 32 mm M
NT963	AESCULAP® Univ. Trial Head 12/14 32 mm L
NT964	AESCULAP® Univ. Trial Head 12/14 32 mm XL
ND134R	T-handle L 125 mm Canulated w/ Lrg. AO-chuck

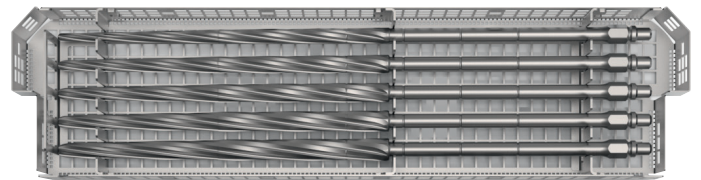
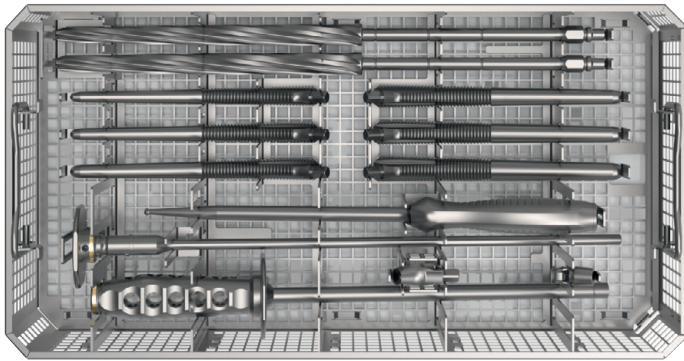
* Must order quantity: 2x

Please order separately

NT1299R	Prevision® Insert Tray F/ Basic Instr. 2
NT1345R	Combined Hammer W 19 mm
NT942	AESCULAP® Univ. Trial Head 12/14 22.2 mm M
NT943	AESCULAP® Univ. Trial Head 12/14 22.2 mm L
NT971	AESCULAP® Univ. Trial Head 12/14 36 mm S
NT972	AESCULAP® Univ. Trial Head 12/14 36 mm M
NT973	AESCULAP® Univ. Trial Head 12/14 36 mm L
NT974	AESCULAP® Univ. Trial Head 12/14 36 mm XL
NT1181	AESCULAP® Univ. Trial Head 12/14 40 mm S
NT1182	AESCULAP® Univ. Trial Head 12/14 40 mm M
NT1183	AESCULAP® Univ. Trial Head 12/14 40 mm L
NT1184	AESCULAP® Univ. Trial Head 12/14 40 mm XL

Rasp Handles – Please order separately

NT002M	Handle THA Posterior
NT008M	Handle THA Lat.
NT009M	Handle THA Lat. Offset Left
NT010M	Handle THA Lat. Offset Right



NT1250 – Prevision® Monobloc Set

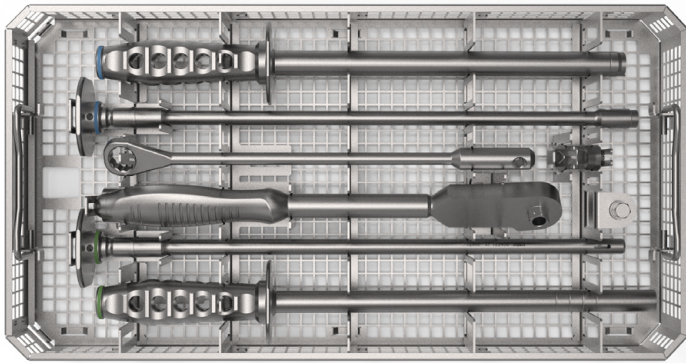
NT1251R	Prevision® Monobloc Tray F/NT1250
JH217R	1/1 Size Wide Perf. Basket Lid 489 x 257 mm
TF387	Packing Stencil F/NT1251R (NT1250)
NT1256R	Prevision® Monobloc Insertion Instrument
NG764R	Prevision® Distal Reamer Ø 14 mm
NG765R	Prevision® Distal Reamer Ø 15 mm
NT1325R	Prevision® Trial Neck
NT1260R	Prevision® Monobloc Prox. Rasp Size 10 mm
NT1261R	Prevision® Monobloc Prox. Rasp Size 11 mm
NT1262R	Prevision® Monobloc Prox. Rasp Size 12 mm
NT1263R	Prevision® Monobloc Prox. Rasp Size 13 mm
NT1264R	Prevision® Monobloc Prox. Rasp Size 14 mm
NT1265R	Prevision® Monobloc Prox. Rasp Size 15 mm
NT1257R	Prevision® Monobloc Insertion Instr. Cem.
NT1258R	Prevision® Monobloc Adapter F/THA Handle

NT1250 – Prevision® Monobloc Set

NG759R	Prevision® Distal Reamer Ø 9 mm
NG760R	Prevision® Distal Reamer Ø 10 mm
NG871R	Prevision® Distal Reamer Ø 11 mm
NG872R	Prevision® Distal Reamer Ø 12 mm
NG873R	Prevision® Distal Reamer Ø 13 mm

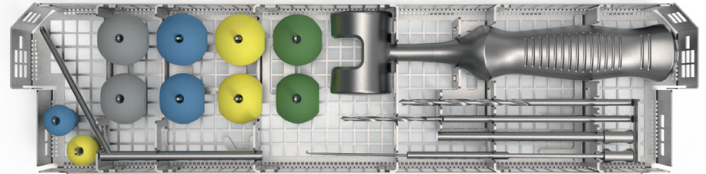
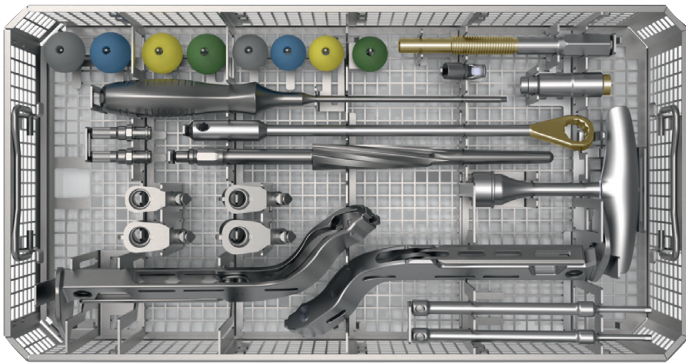
AESCULAP® Prevision® Straight & Curved

Basic instrument overview



NT1300 – Prevision® Basic Instruments 1

NT1301R	Prevision® Tray Basic Instruments 1
JH217R	1/1 Size Wide Perf.Basket Lid 489x257mm
TF388	Packing Stencil F/NT1301R (NT1300)
NT1342R	Prevision® Insertion Instr. F/ Prox. Comp.
NT1343R	Prevision® Insertion Instr. F/ Distal Comp.
ND570M	Prevision® Torque Wrench
ND572M	Prevision® Counter Torque
NT1349R	Prevision® Modular Adapter F/THA Handle



NT1302 – Prevision® Basic Instruments 2

NT1303R	Prevision® Tray Basic Instruments 2
JH217R	1/1 Size Wide Perf. Basket Lid 489 x 257mm
TF389	Packing Stencil F/ NT1303R (NT1302)
NT1320R	Prevision® Proximal Rasp P0
NT1321R	Prevision® Proximal Rasp P1
NT1322R	Prevision® Proximal Rasp P2
NT1324R *	Prevision® Clamping Screw
NT1325R	Prevision® Trial Neck
NT1346R	Screwdriver AF 4.5
NT1344R	Prevision® Disconnection Instrument
NT1355R *	Prevision® Assembling Pin
NT951	AESULAP® Univ. Trial Head 12/14 28 mm S
NT952	AESULAP® Univ. Trial Head 12/14 28 mm M
NT953	AESULAP® Univ. Trial Head 12/14 28 mm L
NT954	AESULAP® Univ. Trial Head 12/14 28 mm XL
NT961	AESULAP® Univ. Trial Head 12/14 32 mm S
NT962	AESULAP® Univ. Trial Head 12/14 32 mm M
NT963	AESULAP® Univ. Trial Head 12/14 32 mm L
NT964	AESULAP® Univ. Trial Head 12/14 32 mm XL
ND134R	T-handle L 125 mm Canulated W/ Lrg.AO-chuck
NG890R	Prevision® Proximal Reamer AO-large

* Must order quantity: 2x (already included when ordering the Tray)

Please order separately

NT1299R	Prevision® Insert Tray F/ Basic Instr. 2
NT1323R	Prevision® Proximal Rasp P3
NT1345R	Combined Hammer W 19 mm
NT942	AESULAP® Univ. Trial Head 12/14 22.2 mm M
NT943	AESULAP® Univ. Trial Head 12/14 22.2 mm L
NT971	AESULAP® Univ. Trial Head 12/14 36 mm S
NT972	AESULAP® Univ. Trial Head 12/14 36 mm M
NT973	AESULAP® Univ. Trial Head 12/14 36 mm L
NT974	AESULAP® Univ. Trial Head 12/14 36 mm XL
NT1181	AESULAP® Univ. Trial Head 12/14 40 mm S
NT1182	AESULAP® Univ. Trial Head 12/14 40 mm M
NT1183	AESULAP® Univ. Trial Head 12/14 40 mm L
NT1184	AESULAP® Univ. Trial Head 12/14 40 mm XL
LS110R	Drill Socket W/ Handle F/ Ø 5.0 mm Fix. Ext.
KH287R *	Bicontact® Rev Twist Drill Ø 3.5 mm AO
KH288R *	Bicontact® Rev Twist Drill Ø 5.0 mm AO
ND574R *	Prevision® Screw Gauge

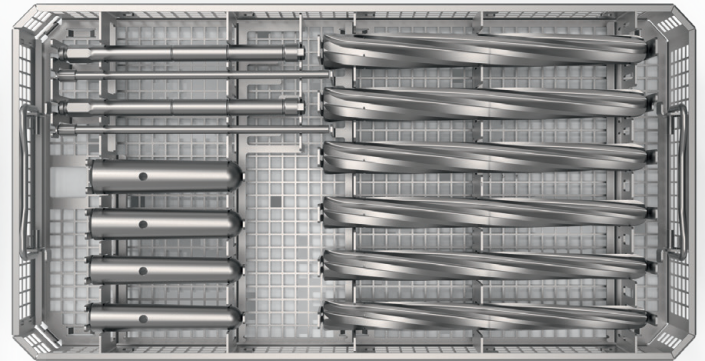
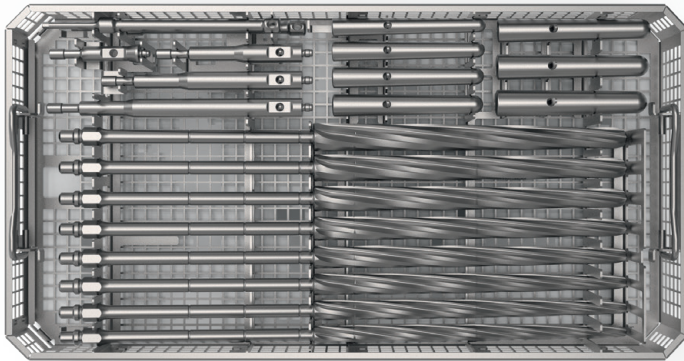
* For free-hand distal locking only

Rasp Handles – Please order separately

NT002M	Handle THA Posterior
NT008M	Handle THA Lat.
NT009M	Handle THA Lat. Offset Left
NT010M	Handle THA Lat. Offset Right

AESCULAP® Prevision® Straight

Instrument overview



NT1306 – Prevision® Straight Distal Reamers Ø 12 – 18 mm

NT1307R	Prevision® Tray Distal Reamers Ø 12 - 18 mm
JH217R	1/1 Size Wide Perf. Basket Lid 489 x 257 mm
TF391	Packing Stencil F/NT1307R (NT1306)
NG871R	Prevision® Distal Reamer Ø 11 mm
NG872R	Prevision® Distal Reamer Ø 12 mm
NG873R	Prevision® Distal Reamer Ø 13 mm
NG764R	Prevision® Distal Reamer Ø 14 mm
NG765R	Prevision® Distal Reamer Ø 15 mm
NG766R	Prevision® Distal Reamer Ø 16 mm
NT1355R *	Prevision® Assembling Pin
NT1356R	Prevision® Trial Distance Piece F/L 200 mm
NT1357R	Prevision® Trial Distance Piece F/L 240 mm
NT1358R	Prevision® Trial Distance Piece F/L 280 mm
NG891R	Prevision® Trial Component Ø 12 mm
NG782R	Prevision® Trial Component Ø 13 mm
NG892R	Prevision® Trial Component Ø 14 mm
NG783R	Prevision® Trial Component Ø 15 mm
NG893R	Prevision® Trial Component Ø 16 mm

* Must order quantity: 2x (already included when ordering the Tray)

Please order separately

NG767R	Prevision® Distal Reamer Ø 17 mm
NG768R	Prevision® Distal Reamer Ø 18 mm
NT1359R	Prevision® Trial Distance Piece F/L 320 mm
NG784R	Prevision® Trial Component Ø 17 mm
NG894R	Prevision® Trial Component Ø 18 mm

NT1308 – Prevision® Straight Distal Reamers Ø 19 – 24 mm

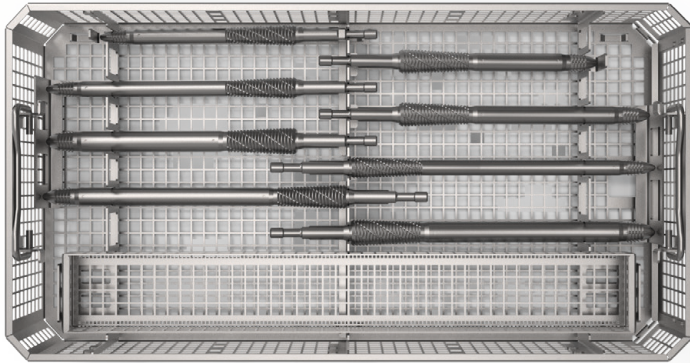
NT1309R	Prevision® Tray Distal Reamers Ø 19 - 24 mm
JH217R	1/1 Size Wide Perf. Basket Lid 489 x 257 mm
TF392	Packing Stencil F/NT1309R (NT1308)

Please order separately

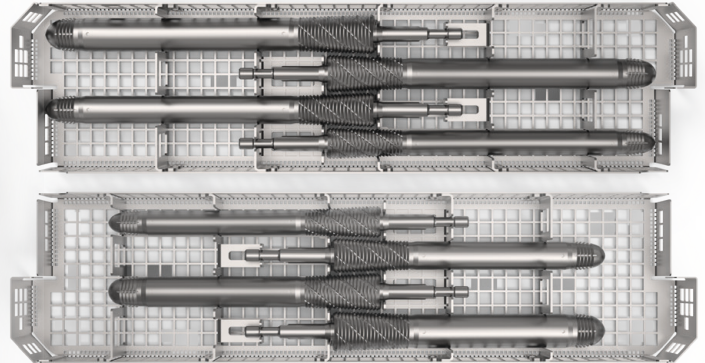
NG879R	Prevision® Distal Reamer Ø 19 mm
NG880R	Prevision® Distal Reamer Ø 20 mm
NG881R	Prevision® Distal Reamer Ø 21 mm
NG882R	Prevision® Distal Reamer Ø 22 mm
NG883R	Prevision® Distal Reamer Ø 23 mm
NG884R	Prevision® Distal Reamer Ø 24 mm
NG785R	Prevision® Trial Component Ø 19 mm
NG895R	Prevision® Trial Component Ø 20 mm
NG896R	Prevision® Trial Component Ø 22 mm
NG897R	Prevision® Trial Component Ø 24 mm
NG870R	Prevision® Shaft F/ Distal Reamers AO-Irg.

AESCULAP® Prevision® Curved

Instrument overview



Insert Tray NT1315R (fully loaded)



NT1310 – Prevision® Curved Distal Rasps 240, 280, 320 mm

NT1311R	Prevision® Tray Dist. Rasps 240/280/320 mm
JH217R	1/1 Size Wide Perf. Basket Lid 489 x 257 mm
NT1315R*	Prevision® Insert Tray Dist. Rasps 240 - 320
TF393	Packing Stencil F/NT1311R (NT1310)
NT1351R	Prevision® Distal Rasp 12 x 240 mm
NT1352R	Prevision® Distal Rasp 14 x 240 mm
NT1361R	Prevision® Distal Rasp 12 x 280 mm
NT1362R	Prevision® Distal Rasp 14 x 280 mm
NT1363R	Prevision® Distal Rasp 16 x 280 mm
NT1371R	Prevision® Distal Rasp 12 x 320 mm
NT1372R	Prevision® Distal Rasp 14 x 320 mm
NT1373R	Prevision® Distal Rasp 16 x 320 mm
NT397R	Plasmafit® Small Tray F/ Basic Tray NT401R

Please order separately

NT397R	Plasmafit® Small Tray F/ Basic Tray NT401R
---------------	--

Please order separately

NT1364R	Prevision® Distal Rasp 18 x 280 mm
NT1365R	Prevision® Distal Rasp 20 x 280 mm
NT1366R	Prevision® Distal Rasp 22 x 280 mm
NT1367R	Prevision® Distal Rasp 24 x 280 mm

Please order separately

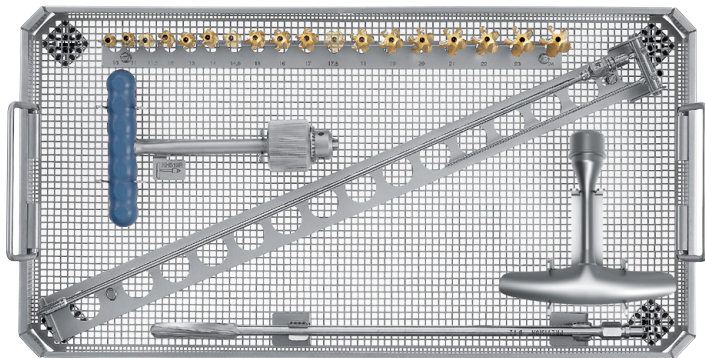
NT1374R	Prevision® Distal Rasp 18 x 320 mm
NT1375R	Prevision® Distal Rasp 20 x 320 mm
NT1376R	Prevision® Distal Rasp 22 x 320 mm
NT1377R	Prevision® Distal Rasp 24 x 320 mm

*NOTE:

Due to transport safety, two insert trays (NT1315R) are mandatory. Either two empty or two loaded trays or one empty and one loaded tray.

AESCULAP® Prevision® Curved

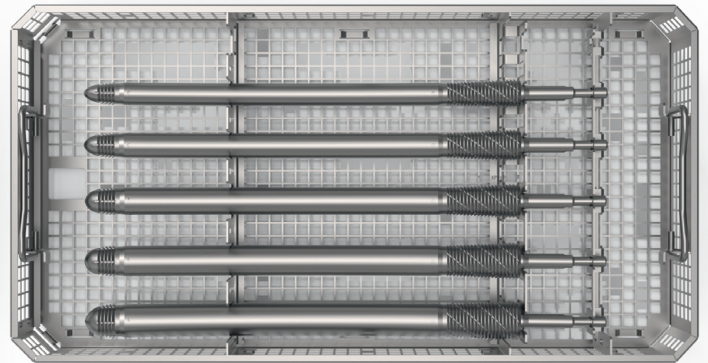
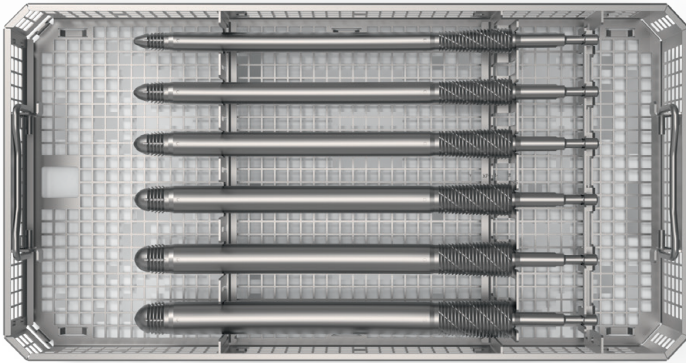
Instrument overview



NG864 – MFR Hip Revis. set/Reamer Heads Ø 10–24 mm

NG865R	MFR Tray F/ Hip Revision set NG864
JH217R	1/1 Size Wide Perf. Basket Lid 489 x 257 mm
TE963	Packing Stencil F/ NG865r (NG864)
GE663S	MFR Guide Pin Ø 2.5 mm L 800 mm
GE666R	MFR Reamer Shaft Nitinol 470 mm AO-large
ND567R	Prevision® Reamer
ND134R	T-handle L 125 mm Canulated W/ Lrg.AO-chuck
KH319R	Targon® Universal T-handle
GE670R	MFR Reamer Head Ø 10.0mm F/ Shaft GE666R
GE672R	MFR Reamer Head Ø 11.0 mm F/ Shaft GE666R
GE674R	MFR Reamer Head Ø 12.0 mm F/ Shaft GE666R

GE676R	MFR Reamer Head Ø 13.0 mm F/ Shaft GE666R
GE678R	MFR Reamer Head Ø 14.0 mm F/ Shaft GE666R
GE680R	MFR Reamer Head Ø 15.0 mm F/ Shaft GE666R
GE682R	MFR Reamer Head Ø 16.0 mm F/ Shaft GE666R
GE684R	MFR Reamer Head Ø 17.0 mm F/ Shaft GE666R
GE686R	MFR Reamer Head Ø 18.0 mm F/ Shaft GE666R
GE688R	MFR Reamer Head Ø 19.0 mm F/ Shaft GE666R
GE690R	MFR Reamer Head Ø 20.0 mm F/ Shaft GE666R
GE691R	MFR Reamer Head Ø 21.0 mm F/ Shaft GE666R
GE692R	MFR Reamer Head Ø 22.0 mm F/ Shaft GE666R
GE693R	MFR Reamer Head Ø 23.0 mm F/ Shaft GE666R
GE694R	MFR Reamer Head Ø 24.0 mm F/ Shaft GE666R



NT1312 – Prevision® Curved Distal Rasps 360 mm

NT1313R	Prevision® Tray Distal Rasps 360/400 mm
JH217R	1/1 Size Wide Perf. Basket Lid 489 x 257 mm
TF394	Packing Stencil F/ NT1313R (NT1312)

NT1314 – Prevision® Curved Distal Rasps 400 mm

NT1313R	Prevision® Tray Distal Rasps 360/400 mm
JH217R	1/1 Size Wide Perf. Basket Lid 489 x 257 mm
TF395	Prevision® Stencil F/NT1313R (NT1314)

Please order separately

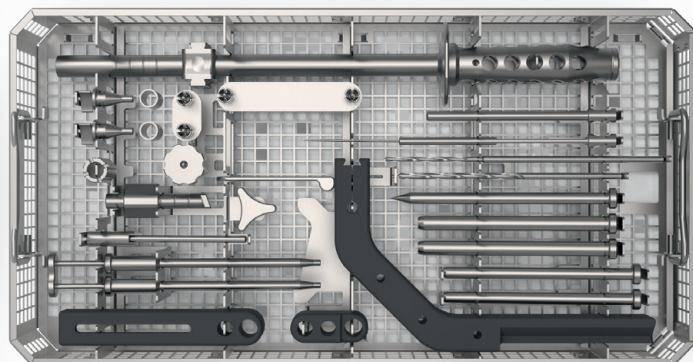
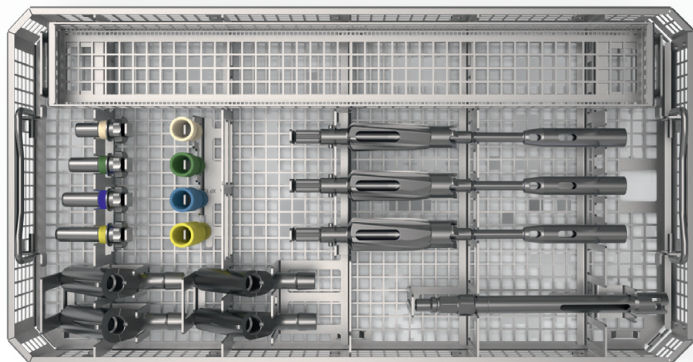
NT1382R	Prevision® Distal Rasp 14 x 360 mm
NT1383R	Prevision® Distal Rasp 16 x 360 mm
NT1384R	Prevision® Distal Rasp 18 x 360 mm
NT1385R	Prevision® Distal Rasp 20 x 360 mm
NT1386R	Prevision® Distal Rasp 22 x 360 mm
NT1387R	Prevision® Distal Rasp 24 x 360 mm

Please order separately

NT1393R	Prevision® Distal Rasp 16 x 400 mm
NT1394R	Prevision® Distal Rasp 18 x 400 mm
NT1395R	Prevision® Distal Rasp 20 x 400 mm
NT1396R	Prevision® Distal Rasp 22 x 400 mm
NT1397R	Prevision® Distal Rasp 24 x 400 mm

AESCULAP® Prevision® Curved

Instrument overview



NT1304 – Prevision® Intraosseous Instruments

NT1305R	Prevision® Tray Module Intraoss. Instr.
JH217R	1/1 Size Wide Perf. Basket Lid 489 x 257 mm
TF390	Packing Stencil F/NT1305R (NT1304)
NT1330R	Prevision® Proximal Trial Implant P0
NT1331R	Prevision® Proximal Trial Implant P1
NT1332R	Prevision® Proximal Trial Implant P2
NT1334P	Prevision® Longitudinal Sleeve -10 mm
NT1335R	Prevision® Prox. Clamping Screw -10 mm
NT1336P	Prevision® Longitudinal Sleeve 0 mm
NT1337R	Prevision® Prox. Clamping Screw 0 mm
NT1338P	Prevision® Longitudinal Sleeve +10 mm
NT1339R	Prevision® Prox. Clamping Screw +10 mm
NT1327R	Prevision® Conical Reamer P0/P1
NT1328R	Prevision® Conical Reamer P2
NT1326R	Extension Shaft Shank and Chuck AO-large

Please order separately

NT1333R	Prevision® Proximal Trial Implant P3
NT1340P	Prevision® Longitudinal Sleeve +20 mm
NT1341R	Prevision® Prox. Clamping Screw +20 mm
NT1329R	Prevision® Conical Reamer P3
NT397R	Plasmafit® Small Tray F/ Basic Tray NT401R

NT1316 – Prevision® Aiming Device

NT1317R	Prevision® Tray Aiming Device
JH217R	1/1 Size Wide Perf. Basket Lid 489 x 257 mm
TF310	Packing Stencil F/ NT1317R (NT1316)
NF505P	Bicontact® Rev Aiming Bow
ND580R	Prevision® Sleeve F/ Aiming Device
ND582R	Prevision® Interlock. Support F/ Aim. Device

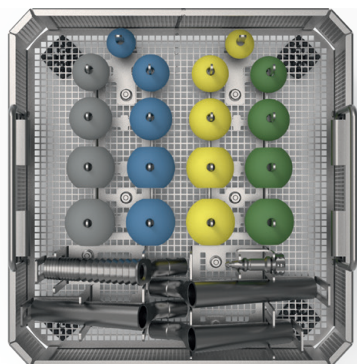
Please order separately

NF503R	Extension F/ Aiming Bow NF505P
NF506R *	Bicontact® Rev Drill Sleeve Small
NF507R *	Bicontact® Rev Drill Sleeve Large
NF508R	Bicontact® Rev Obturator F/ Aiming Device
NF509R	Bicontact® Rev Aiming Rod
NF512R	Drill Ø 3.5 mm
NF513R	Drill Ø 5.0 mm
NF514R	Bicontact® Rev Screw Gauge Rod

* Must order quantity: 2x (already included when ordering the Tray)

AESCULAP® Prevision® Straight & Curved

Instrument overview



Only needed for existing Prevision® user

NG848 – Prevision® PO Addition

NG849R	Prevision® Tray Module Addition PO
JF117R	1/2 Size Perf Basket Lid 247 x 257 mm
TF349	Packing Stencil F/ NG849R (NG848)

NOTE:

When using the PO Addition set with the trial stems (classic and new version), do not use the Universal Trial Heads for Trial Reduction. In this case the usage of the classic trial heads are mandatory.

Please order separately

NG800R	Prevision® Proximal Rasp PO
NF790P	Prevision® Prox. Trial Implant PO
NF800P	Prevision® Prox. Trial Implant PO +10 mm
NF820P	Prevision® Prox. Trial Implant PO +20 mm
NT942	AESCULAP® Univ. Trial Head 12/14 22.2 mm M
NT943	AESCULAP® Univ. Trial Head 12/14 22.2 mm L
NT951	AESCULAP® Univ. Trial Head 12/14 28 mm S
NT952	AESCULAP® Univ. Trial Head 12/14 28 mm M
NT953	AESCULAP® Univ. Trial Head 12/14 28 mm L
NT954	AESCULAP® Univ. Trial Head 12/14 28 mm XL
NT961	AESCULAP® Univ. Trial Head 12/14 32 mm S
NT962	AESCULAP® Univ. Trial Head 12/14 32 mm M
NT963	AESCULAP® Univ. Trial Head 12/14 32 mm L
NT964	AESCULAP® Univ. Trial Head 12/14 32 mm XL
NT971	AESCULAP® Univ. Trial Head 12/14 36 mm S
NT972	AESCULAP® Univ. Trial Head 12/14 36 mm M
NT973	AESCULAP® Univ. Trial Head 12/14 36 mm L
NT974	AESCULAP® Univ. Trial Head 12/14 36 mm XL
NT1181	AESCULAP® Univ. Trial Head 12/14 40 mm S
NT1182	AESCULAP® Univ. Trial Head 12/14 40 mm M
NT1183	AESCULAP® Univ. Trial Head 12/14 40 mm L
NT1184	AESCULAP® Univ. Trial Head 12/14 40 mm XL

AESCULAP[®] – a B. Braun brand

Aesculap AG | Am Aesculap-Platz | 78532 Tuttlingen | Germany
Phone +49 7461 95-0 | Fax +49 7461 95-2600 | www.bbraun.com

The main product trademark "AESCULAP" and the product trademarks "Bicontact", "Plasmafit", "PLASMAPORE", "Prevision", "SQ.line" and "Targon" are registered trademark of Aesculap AG.

Subject to technical changes. All rights reserved. This brochure may only be used for the exclusive purpose of obtaining information about our products. Reproduction in any form partial or otherwise is not permitted.